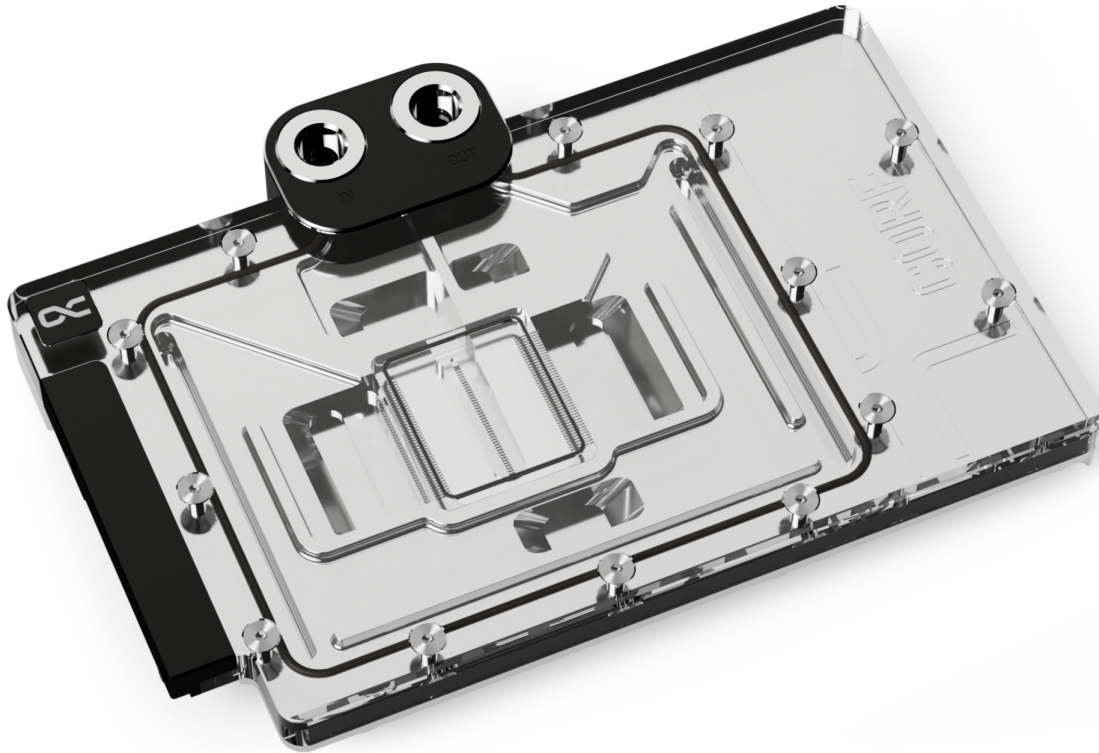


Alphacool Core Geforce RTX 4090 Strix + TUF with Backplate

Alphacool article number: 13495



Quick Info

Alphacool's Core product series is characterized by high quality, outstanding performance and the uniform and functional design language.

- Optimised fin structure enables very good water flow & increase of cooling surface
- Modified jet plate ensures optimal distribution of the water on the cooling fins
- Visually calm & simple design with digital aRGB illumination
- Chrome-plated copper cooler

Compatibility

- ASUS TUF Gaming GeForce RTX 4090 OC, TUF-RTX4090-O24G-GAMING, 24GB GDDR6X (90YV01E0-M0NA00)
- ASUS TUF Gaming GeForce RTX 4090, TUF-RTX4090-24G-GAMING, 24GB GDDR6X (90YV01E1-M0NA00)
- ASUS ROG Strix GeForce RTX 4090 OC, ROG-STRIX-RTX4090-O24G-GAMING, 24GB GDDR6X (90YV01D0-M0NA00)
- ASUS ROG Strix GeForce RTX 4090, ROG-STRIX-RTX4090-24G-GAMING, 24GB GDDR6X (90YV01D1-M0NA00)

Scope of delivery

1x Core Geforce RTX 4090 Strix + TUF Cooler	5x M2x5mm Screw
1x Backplate	5x EVA Washer
4x 8x8x1mm Pad	1x 45x45x3mm GPU-Pad
2x 51x15x1mm Pad	1x 15x15x3mm Pad
1x 15x15x1mm Pad	2x 51x8x3mm Pad
2x 105x8x1mm Pad	1x 40x8x3mm Pad
1x 40x15x1mm Pad	2x 100x8x3mm Pad
1x Screwdriver	8x M2x10mm Screw
1x PCI Bracket	1x ARGB Adapter
1x Thermal Grease	1x Plug tool
1x Putty tool	2x G1/4 Plug

Technical data cooler

Dimensions (L x W x H)	224,03 x 158,25 x 32,23mm
Material cooler	chrome-plated copper
Material cooler top	acrylic
Threads	4 x G1/4"
Thickness cooler bottom	11,3mm
Thickness cooling fins	0,4mm
Distance cooling fins	0,4mm
Illumination	digital aRGB LEDs
Power connector digital aRGB LEDs	3-Pin JST
Power digital aRGB LEDs	5V
Number of digital aRGB LEDs	12
Color	transparent

Technical data backplate

Dimensions (L x W x H)	224,03 x 135,25 x 5mm
Material	aluminium
Color	black

Download links

Manual	13495_Alphacool_Core_Geforce_RTX_4090_Strix__TUF_with_Backplate_Manual.pdf
Product pictures	13495_Alphacool_Core_Geforce_RTX_4090_Strix__TUF_with_Backplate_pics.zip

Packaging dimensions per unit

L x W x H	330 x 200 x 50 mm
Weight	1500 g

Other data

Certificates	CE, FC, RoHS
EAN	4250197134958
Customs code	84195080900

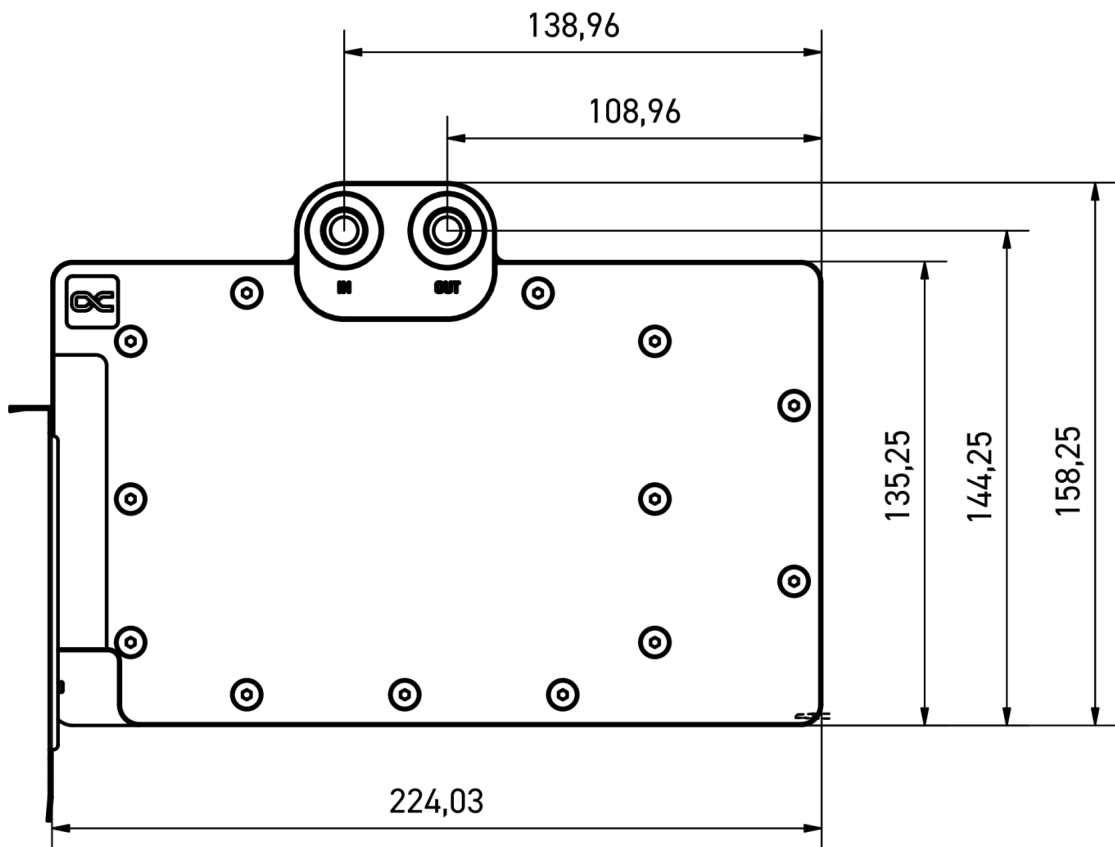
Article text

Alphacool's Core product series is characterized by high quality, outstanding performance and the uniform and functional design language.

The copper cooler which, like the end terminal, is milled from a single piece of copper and is the core of this cooler. The fine workmanship, paired with the hard and resistant chrome plating covering the entire copper cooler, meet the highest quality standards. The chrome-plated brass G1/4" threads integrated on both sides stand out visually from the terminal. They are a central feature of the new design language that will be evident in all products in the Core series.

The aluminum backplate adapted to the design, together with the terminal, makes up the entire unit and enhances the back of the cooler with a clean and homogeneous look. The lighting consists of digitally addressable RGB LEDs, which illuminate the entire cooler evenly and effectively.

The technical advancements can be seen in the water supply to the jet plate as well as in the optimization of the jet plate itself. The jet plate has been completely redesigned based on many simulations and practical tests in cooperation with board partners. The fin thickness and spacing have been enhanced, the cooling surface has been increased and the water flow to the core components with the greatest heat output has been optimized. The enclosed special soft thermal pads with up to 7 W/mK adapt perfectly to even the smallest tolerances.



General tolerance: $\pm 0,25$ mm
Dimension in millimeter