

Alphacool Backplate with Screws LGA 115x/1200/1700

Alphacool article number: 13064



Quick Info

The Alphacool synthetic backplate for XPX, XPX Aurora, XPX Aurora Edge, XPX 1U, XPX Pro 1U, XPX Pro Aurora, Eisbaer, Eisbaer Aurora, Eisbaer Pro, Eisbaer LT is compatible with Intel's LGA 115X, 1200 and 1700 sockets. This includes solo water coolers and CPU AIOs. The backplate stabilises the CPU cooler on the socket and ensures optimum contact pressure. There is an additional adhesive surface on the back of the backplate that serves as an installation aid and thus makes mounting much easier.

- Optimal contact pressure
- Stable fit of the water cooler on the socket
- Excellent cooling performance

Compatibility

Intel: LGA 1150 / 1151 / 1155 / 1200 / 1700

Scope of delivery

1x Alphacool Backplate LGA 115x/1200/1700, black

4x LGA 1700 screws

4x 2mm washer

Technical data

L x W x H	99 x 99 x 3 mm
Material	synthetic
Weight	29 g
Color	black

Download links

Product pictures	13064_Alphacool_Backplate_with_Screws_LGA_115x-1200-1700_pics.zip
------------------	---

Packaging dimensions per unit

L x W x H	150 x 120 x 10 mm
Weight	36 g

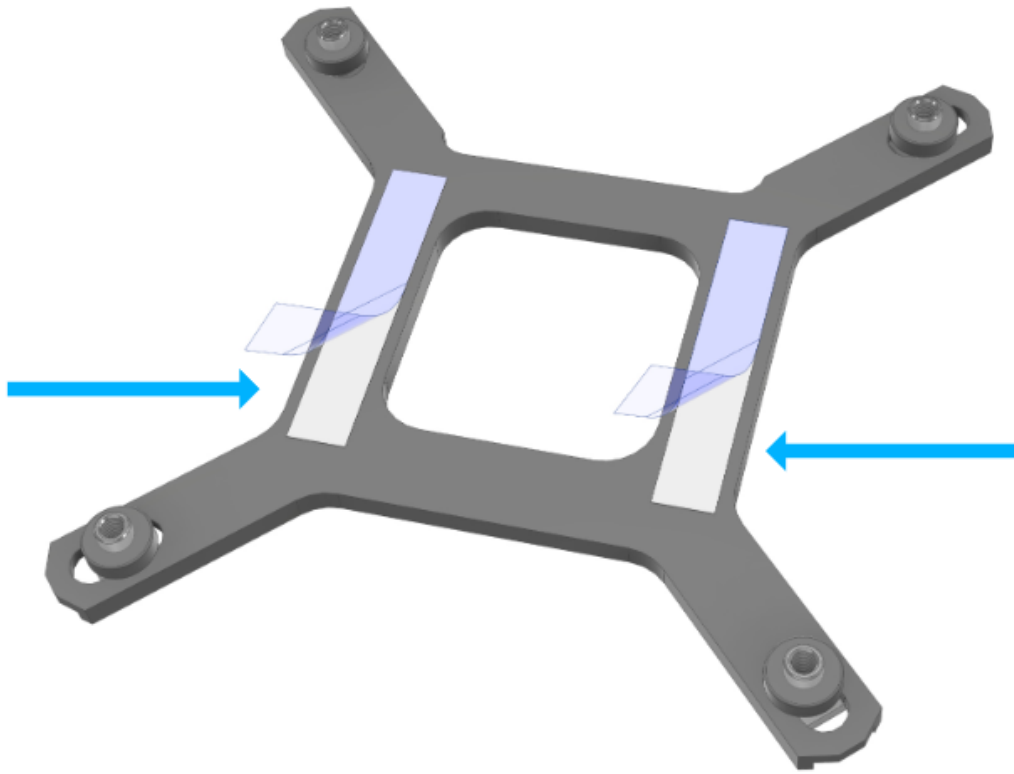
Other data

Certificates	CE, FC, RoHS
EAN	4250197130646
Customs code	84199085900

Article text

The Alphacool synthetic backplate for XPX, XPX Aurora, XPX Aurora Edge, XPX 1U, XPX Pro 1U, XPX Pro Aurora, Eisbaer, Eisbaer Aurora, Eisbaer Pro, Eisbaer LT is compatible with Intel's LGA 115X, 1200 and 1700 sockets. This includes solo water coolers and CPU AIOs. The backplate stabilises the CPU cooler on the socket and ensures optimum contact pressure. There is an additional adhesive surface on the back of the backplate that serves as an installation aid and thus makes mounting much easier.

Drawing (1)



EN

Remove the protective film from the backplate.

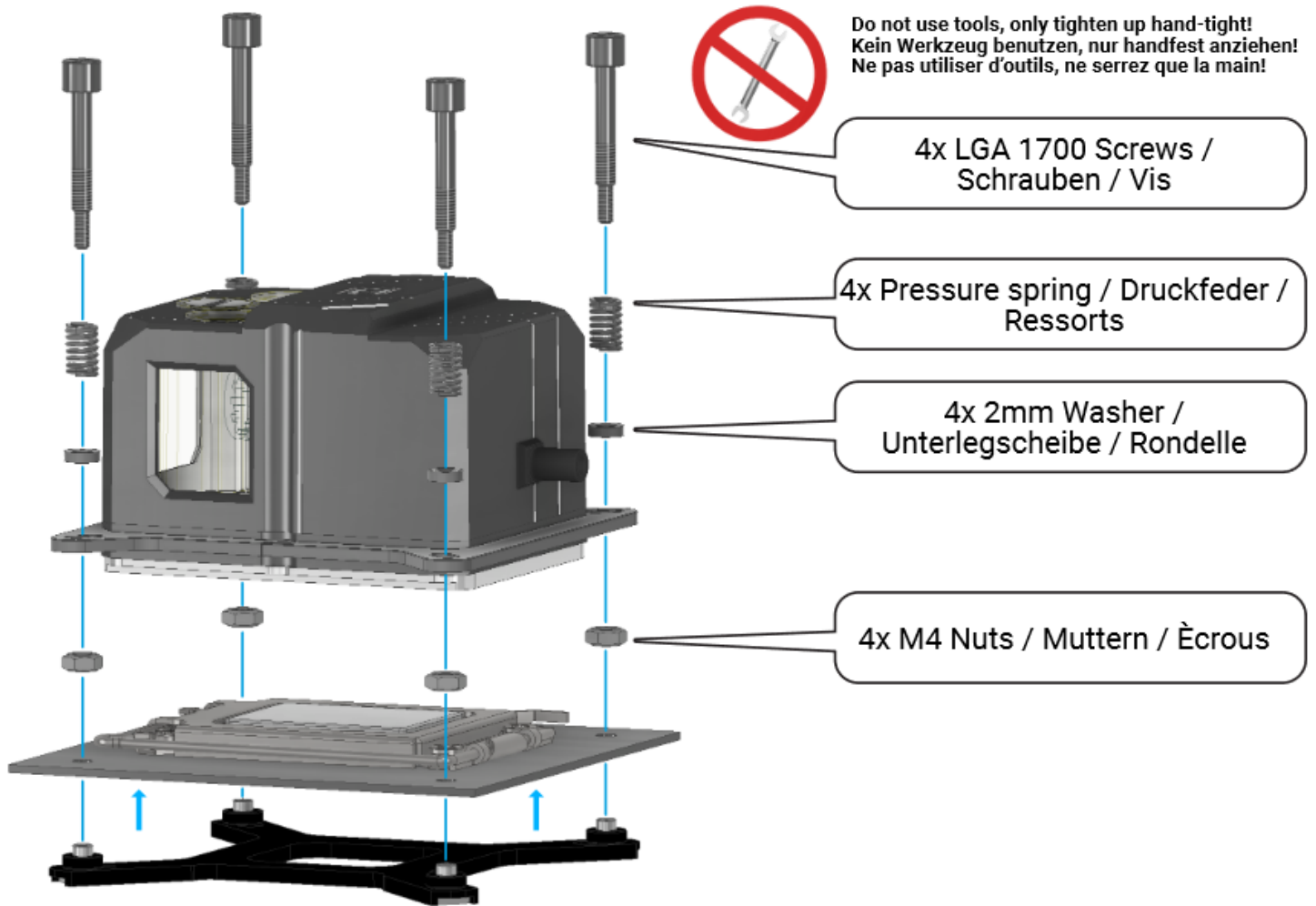
DE

Entfernen Sie die Schutzfolie von der Backplate.

FR

Retirez le film de protection de la plaque arrière.

Drawing (2)



Do not use tools, only tighten up hand-tight!
Kein Werkzeug benutzen, nur handfest anziehen!
Ne pas utiliser d'outils, ne serrez que la main!

4x LGA 1700 Screws /
Schrauben / Vis

4x Pressure spring / Druckfeder /
Ressorts

4x 2mm Washer /
Unterlegscheibe / Rondelle

4x M4 Nuts / Muttern / Écrous

EN	DE	FR
<p>The backplate is fixed to the back of the mainboard with the adhesive strips. The LGA 1700 screws are inserted through the pressure springs, washers and the holder. Then everything is mounted on the socket.</p>	<p>Die Backplate wird mit den Klebestreifen auf der Rückseite des Mainboards fixiert. Die LGA 1700 Schrauben werden durch die Druckfedern, Unterlegscheiben und den Halter gesteckt. Anschließend wird alles auf den Sockel montiert.</p>	<p>La plaque arrière est fixée à l'arrière de la carte mère à l'aide des bandes adhésives. Les vis LGA 1700 sont insérées à travers les ressorts de pression, les rondelles et le support. Ensuite, tout est monté sur le socle.</p>
<p>12. MAINBOARD SUPPLY</p>	<p>MAINBOARD ANSCHLUSS</p>	<p>CONNEXION À LA CARTE MÈRE</p>