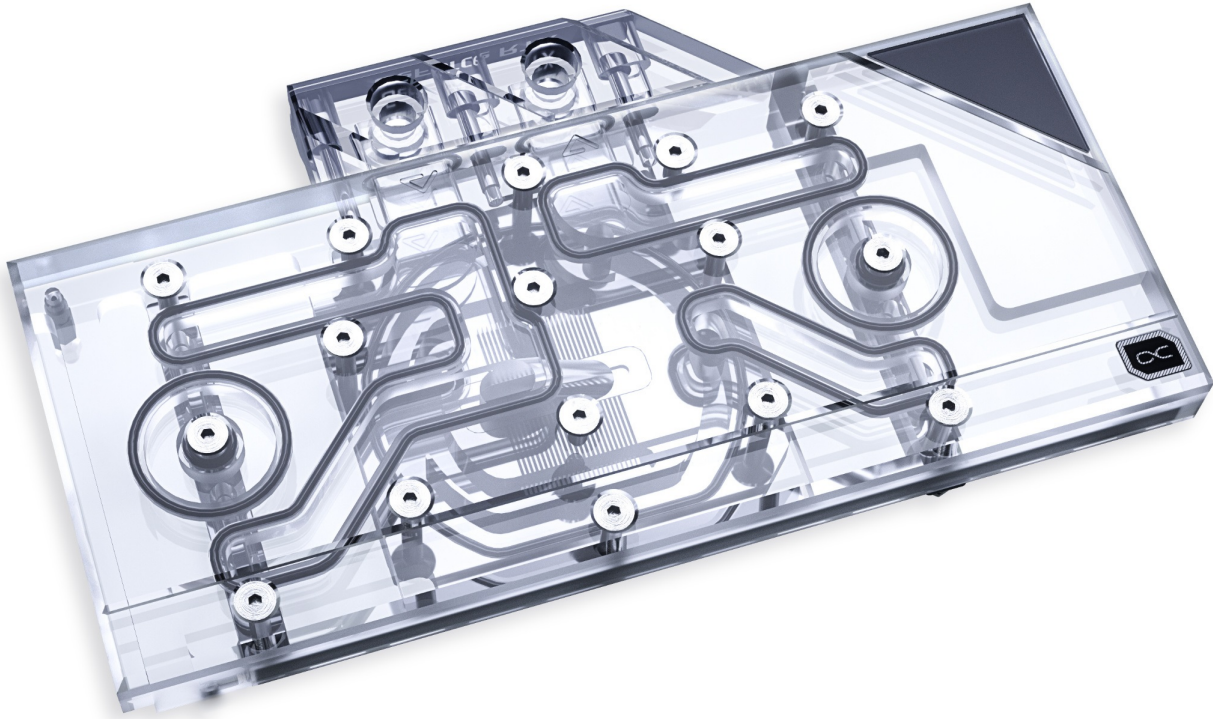


Alphacool Eisblock Aurora Acryl GPX-N RTX 3090/3080 with Backplate (Reference)

Alphacool article number: 11930



Quick Info

The Alphacool Aurora Plexi GPX-N RTX 3080/3090 Eisblock combines style with performance and extensive digital RGB lighting. With experience of over 17 years, Alphacool the ability to create GPU blocks that represent high quality and fantastic performance. This perfectly describes the Aurora Plexi GPX Eisblock

- Fullcover water block
- Chrome-plated copper cooler
- Adressable digital RGB LEDs

Compatibility

RTX 3080 TI

Gainward GeForce RTX 3080 Ti 12GB Phoenix

INNO3D GEFORCE RTX 3080 TI ICHILL X4

INNO3D GEFORCE RTX 3080 TI ICHILL FROSTBITE

INNO3D GEFORCE RTX 3080 TI ICHILL X3

INNO3D GEFORCE RTX 3080 TI X3

INNO3D GEFORCE RTX 3080 TI X3 OC

Palit GeForce RTX 3080 Ti GamingPro

Zotac Gaming GeForce RTX 3080 Ti AMP Holo

Zotac GeForce RTX 3080 Ti AMP HoloBlack

Zotac Gaming GeForce RTX 3080 Ti Trinity

Zotac Gaming GeForce RTX 3080 Ti Trinity OC

RTX 3080

Galakuro NVIDIA GEFORCE RTX 3080 GG-RTX3080-E10GB/TP

Galax GeForce RTX 3080 SG 10GB GDDR6X 320-bit DP*3/HDMI

Gainward RTX 3080 Phoenix

Gainward RTX 3080 Phoenix GS

Inno3D GeForce RTX 3080 iChill X3/X4 10240 MB GDDR6X

Inno3D GeForce RTX 3080 Twin X2 OC 10240 MB GDDR6X

INNO3D GEFORCE RTX 3080 12GB ICHILL FROSTBITE LHR

INNO3D GEFORCE RTX 3080 12GB X3 OC LHR

INNO3D GEFORCE RTX 3080 12GB ICHILL X3/X4 LHR

INNO3D GEFORCE RTX 3080 12GB ICHILL BLACK LHR

KFA2 GeForce RTX 3080 SG 10GB GDDR6X 320-bit DP*3/HDMI

Palit GeForce RTX™ 3080 GamingPro

Palit GeForce RTX™ 3080 GamingPro OC

PNY GeForce RTX 3080 XLR8 Gaming EPIC-X RGB 10240 MB GDDR6X (VCG308010TFXMPB)

PNY GeForce RTX 3080 XLR8 Gaming EPIC-X RGB 10240 MB GDDR6X (VCG308010TFXPPB)

Zotac GAMING GeForce RTX 3080 Trinity

Zotac Gaming GeForce RTX 3080 Trinity OC

RTX 3090

Galakuro NVIDIA GEFORCE RTX 3090 GG-RTX3090-E24GB/TP

Galax GeForce RTX 3090 SG 24GB GDDR6X 320-bit DP*3/HDMI

Gainward RTX 3090 Phoenix

Gainward RTX 3090 Phoenix GS

Inno3D GeForce RTX 3090 iChill X3/X4, 24576 MB GDDR6X

Inno3D GeForce RTX 3090 Gaming X3, 24576 MB GDDR6X

KFA2 GeForce RTX 3090 SG 24GB GDDR6X 320-bit DP*3/HDMI

Palit GeForce RTX™ 3090 GamingPro

Palit GeForce RTX™ 3090 GamingPro OC

PNY GeForce RTX 3090 XLR8 Gaming EPIC-X RGB, 24576 MB GDDR6X

Zotac GeForce RTX 3090 Trinity, 24576 MB GDDR6X

Scope of delivery

| | |
|--|--------------------------|
| 1x Eisblock Aurora Acryl GPX-N RTX 3090/3080 (Reference) | 1x 8x74x3mm thermal pad |
| 1x Backplate | 1x 8x84x3mm thermal pad |
| 2x 15x51x1mm thermal pad | 2x 15x51x3mm thermal pad |
| 1x 15x38x1mm thermal pad | 1x 15x38x3mm thermal pad |
| 1x 15x15x1mm thermal pad | 1x 15x15x3mm thermal pad |
| 1x 8x8x1mm thermal pad | 4x M2x5 screws |
| 1x 8x74x1mm thermal pad | 4x M2x5 washers |
| 1x 8x84x1mm thermal pad | 4x M2x11 screws |
| 2x 15x51x2mm thermal pad | 2x Screw pugs |
| 1x 15x38x2mm thermal pad | 1x digital-RGB adapter |
| 1x 15x15x2mm thermal pad | 1x Thermal grease |
| 1x 30x30x2mm thermal pad | 1x plug tool |

Technical data cooler

| | |
|----------------------------------|---------------------------|
| L x W x H | 224,86 x 121,4 x 25,05 mm |
| Material cooler | chrome-plated copper |
| Material cooler top | acrylic |
| Threads | 4 x G1/4 |
| Thickness cooling fins | 0,6 mm |
| Illumination | digital RGB LEDs |
| Power connector digital RGB LEDs | 3-Pin JST |
| Power digital RGB LEDs | 5V |
| Maximum working temperature | 60 °C |

Technical data backplate

| | |
|-----------|----------------------|
| L x W x H | 224,86 x 96,9 x 6 mm |
| Material | aluminium |
| Color | black |

Download links

| | |
|------------------|---|
| Manual | 11930_Alphacool_Eisblock_Aurora_Acryl_GPX-N_RTX_3090-3080_with_Backplate_(Reference)_Manual.pdf |
| Product pictures | 11930_Alphacool_Eisblock_Aurora_Acryl_GPX-N_RTX_3090-3080_with_Backplate_(Reference)_pics.zip |

Packaging dimensions per unit

| | |
|-----------|-------------------|
| L x W x H | 352 x 172 x 43 mm |
| Weight | 1150 g |

Other data

| | |
|--------------|---------------|
| Certificates | CE, FC, RoHS |
| EAN | 4250197119306 |
| Customs code | 84195080900 |

The Alphacool Aurora Plexi GPX-N RTX 3080/3090 Eisblock combines style with performance and extensive digital RGB lighting. With experience of over 17 years, Alphacool the ability to create GPU blocks that represent high quality and fantastic performance. This perfectly describes the Aurora Plexi GPX Eisblock

More Performance!

During the development of the Eisblock Aurora GPX-N RTX 3080/3090 graphic card GPU block, we wanted to further increase the performance. The first step was to move the cooler closer to the individual components by reducing the thermal pads to a thickness of 1 mm. Next, we reduced the thickness of the chrome-plated copper block. Instead of 7 mm, it is now only 5.5 mm thick. The water flow inside the cooler has also been optimized. All important components such as the voltage transformers and the memory are now significantly better and more effectively cooled by the water. All this ensures a significant increase in cooling performance.

New Design!

The Eisblock Aurora GPX-N RTX 3080/3090 cooler has been designed so that lighting is more important than the previous models. The addressable digital RGB LEDs are embedded directly into the cooling block and run along the entire cooling block. The effect is an illumination of the entire cooling block. No corner or edge remains unlit by the aRGB LEDs. The new design is more angular with all edges bevelled. This promotes better light diffusion in the water cooler due to the reflections on these bevels. In addition, they create various contours, which give the Aurora GPX-N RTX 3080/3090 Eisblock cooler its very own unique identity.

Copper or Aluminium?

Alphacool uses only copper for all water-bearing parts. Copper has almost twice the thermal conductivity of aluminum and is therefore clearly the better choice of material for water cooling. The cooler is made entirely of chrome-plated copper. A chrome plating is much harder than a nickel plating and therefore less sensitive to acids, scratches and damage. It completely eliminates the risk of chipping nickel plating. Additionally, chrome plating looks much more homogeneous and provides a shine that cannot be achieved by nickel plating.

Is There Anything Else New?

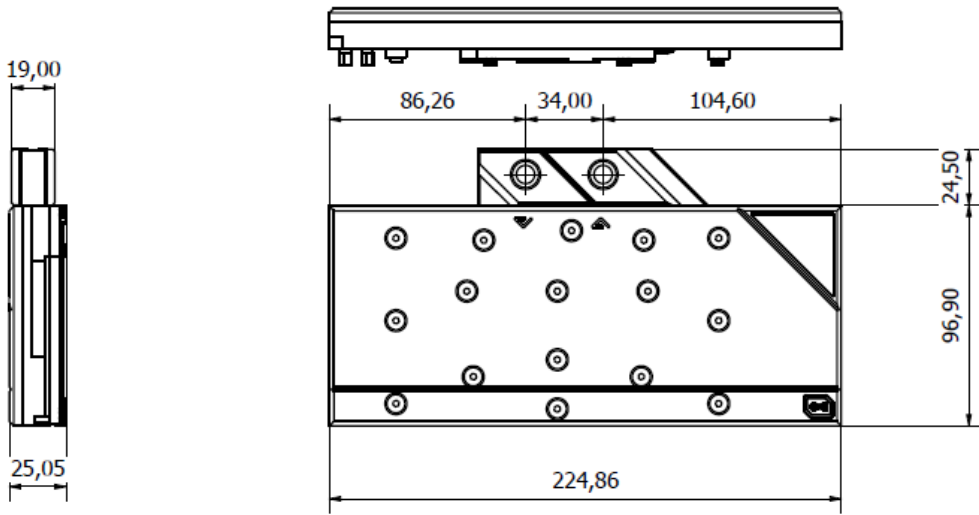
The Eisblock Aurora GPX-N RTX 3080/3090 also relies on the new patented stop fittings, which sit flush with the surface of the terminal. The Alphacool logo now sits in the corner on the top and is also fully illuminated. On the front of the terminal you can see the corresponding names of the compatible graphic card types. Of course, these are also fully illuminated by the digital LEDs. IN and OUT are now marked by small triangles. They are easily recognizable and fit perfectly into the entire aesthetics of the graphic card water cooler.

The Alphacool Aurora GPX-N RTX 3080/3090 Plexi is a complete redevelopment of the previous Alphacool graphics card water coolers. No technical compromises were made, but the entire technical know-how flowed into the development and implementation.

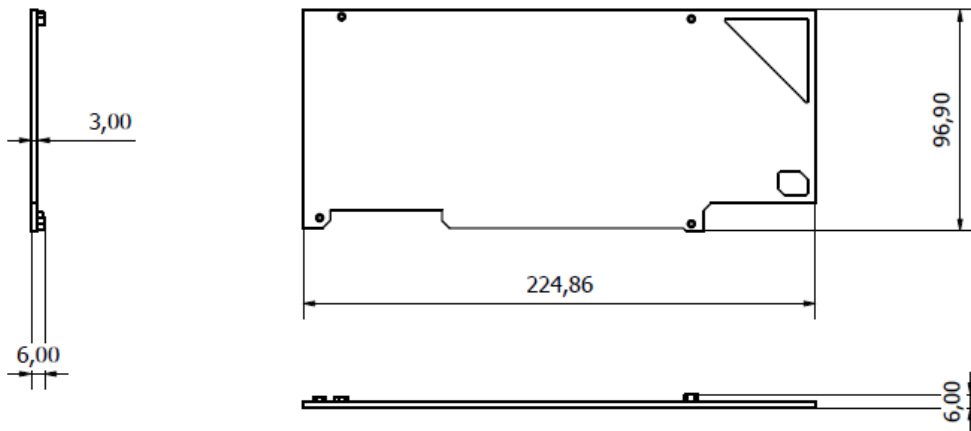
Note:

- The Founders Edition, does NOT correspond to the Reference Design!

Drawing



COOLER



BACKPLATE