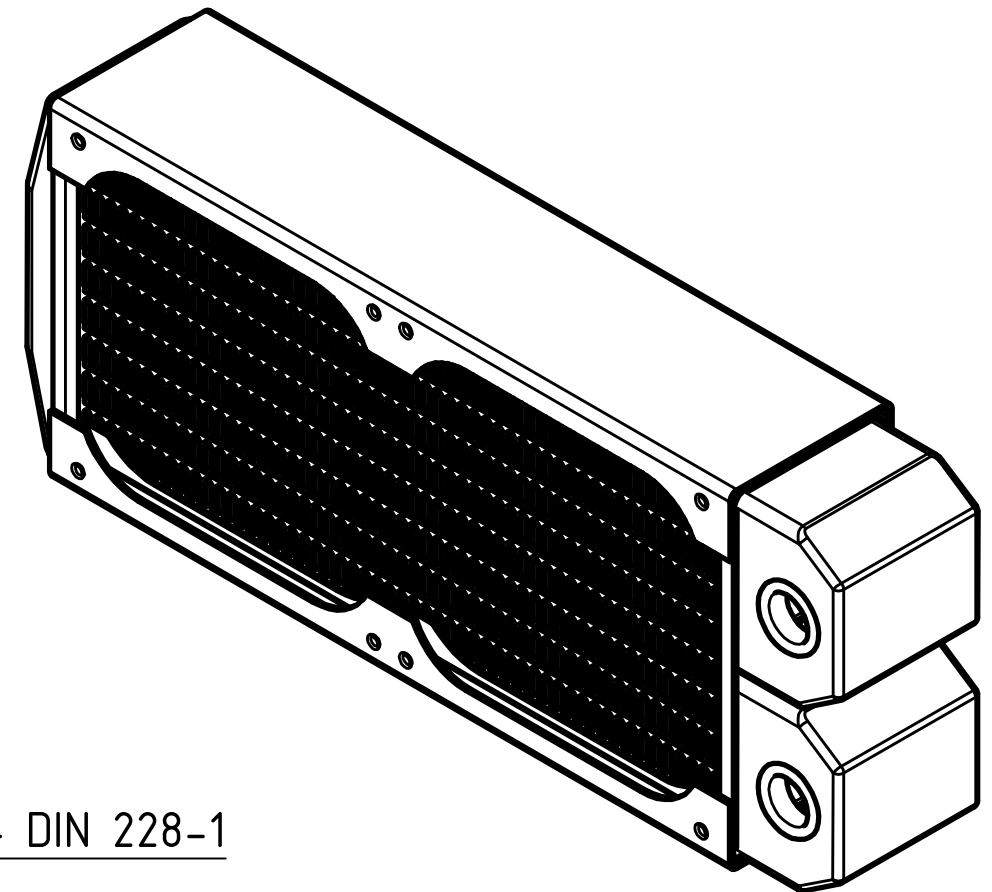
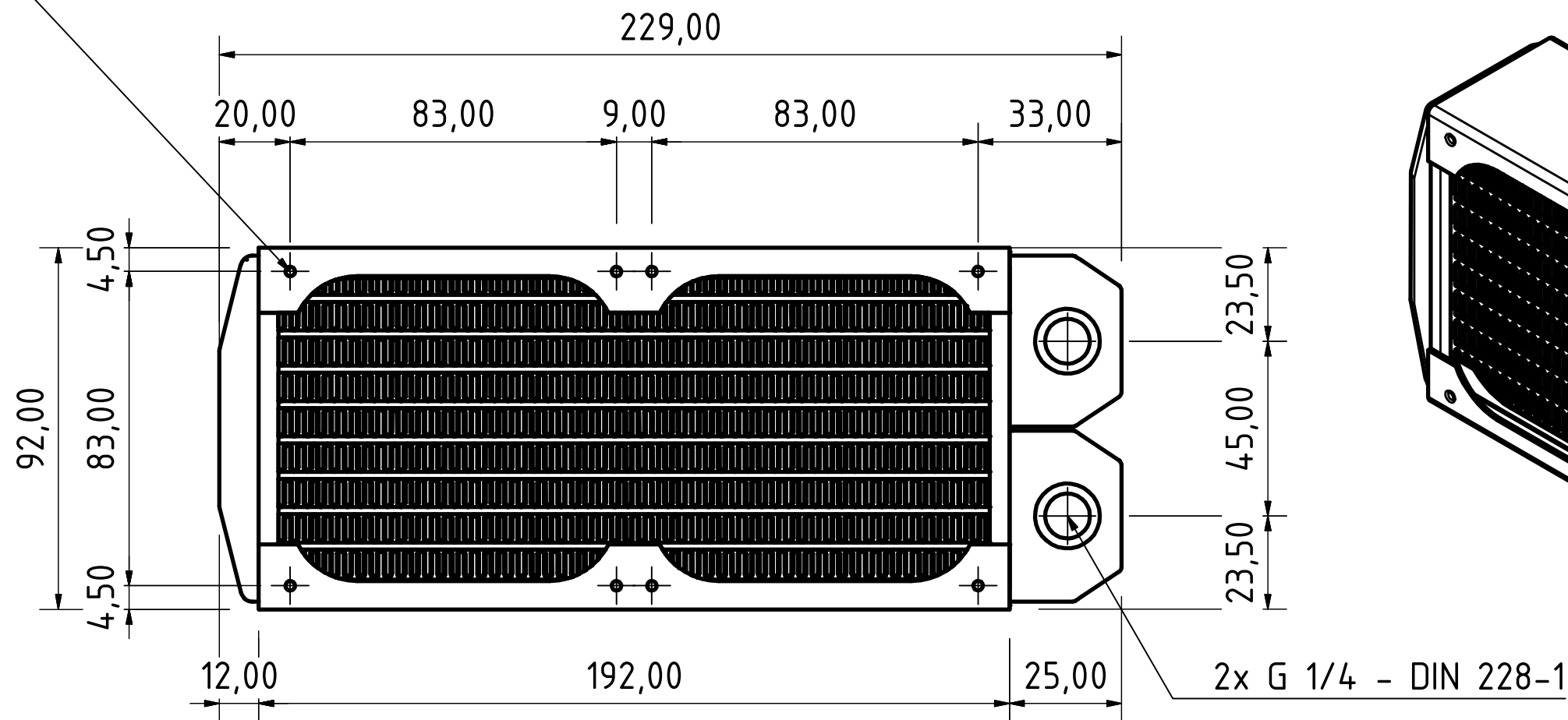




16x M3x0.5 - 6H  
5,00 TIEF / DEPTH



dimensions are  
approximate ( $\pm 3\%$ )