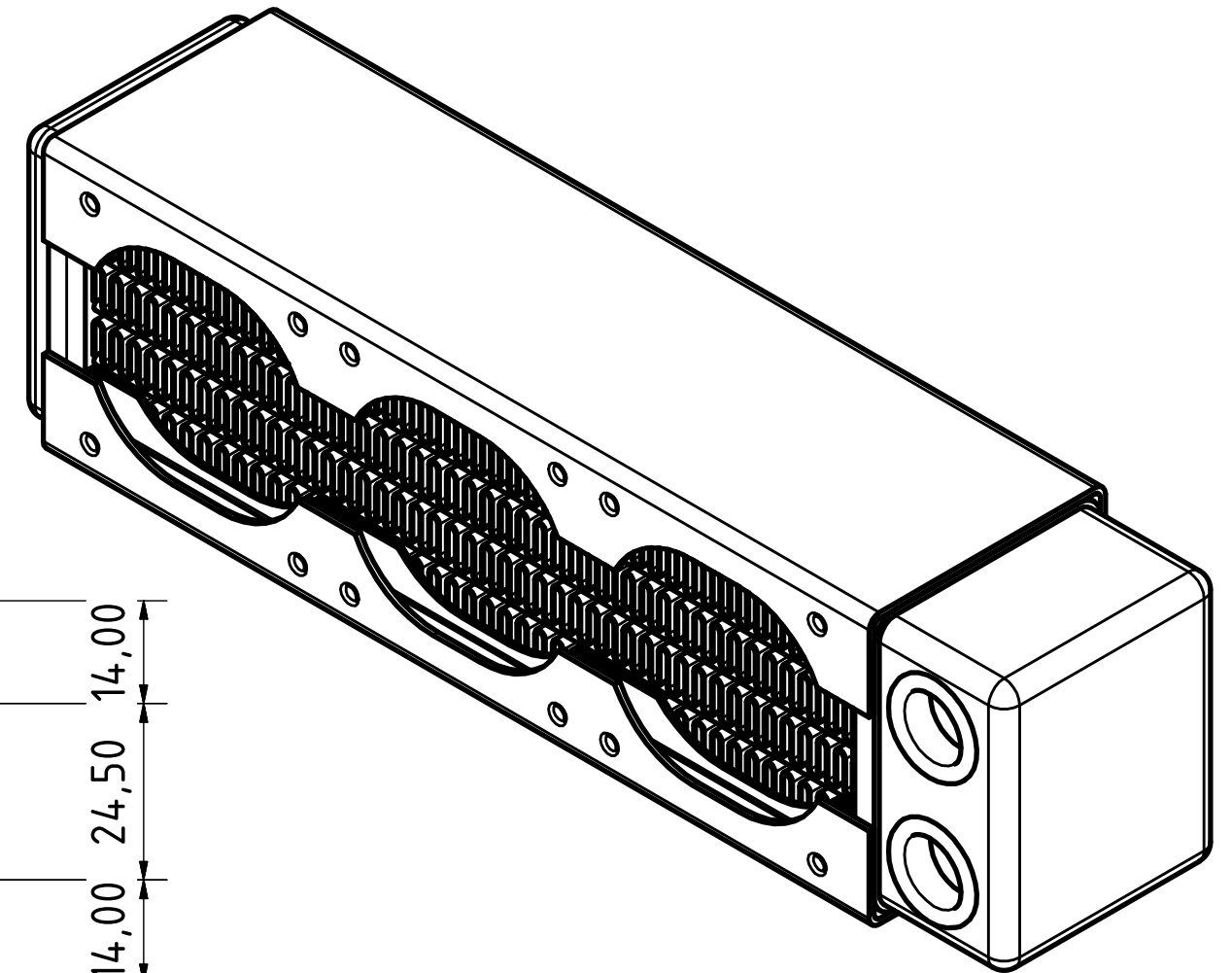
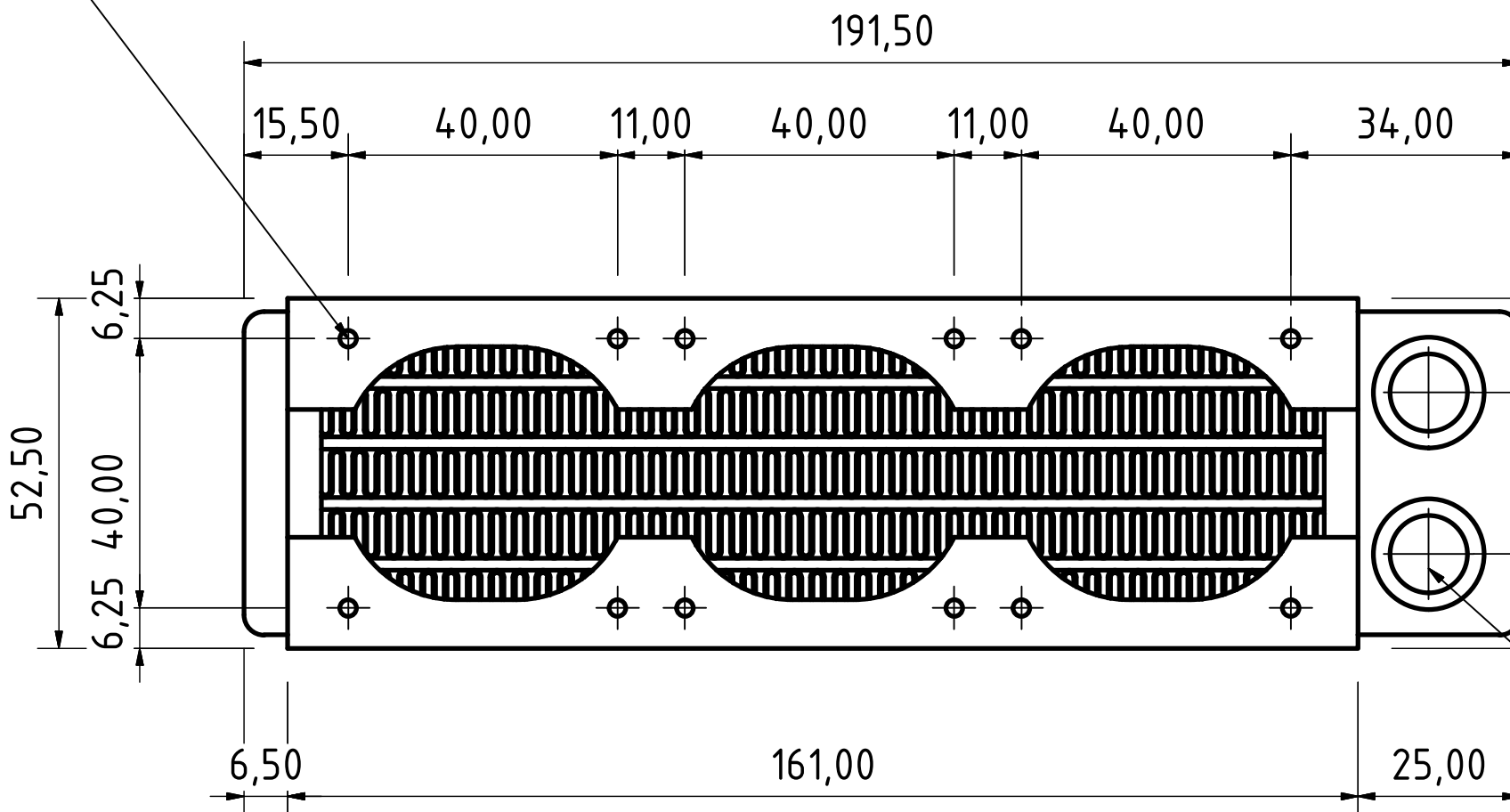


24x M3x0.5 - 6H
5,00 TIEF / DEPTH



2x G 1/4 DIN 228-1

dimensions are
approximate ($\pm 3\%$)