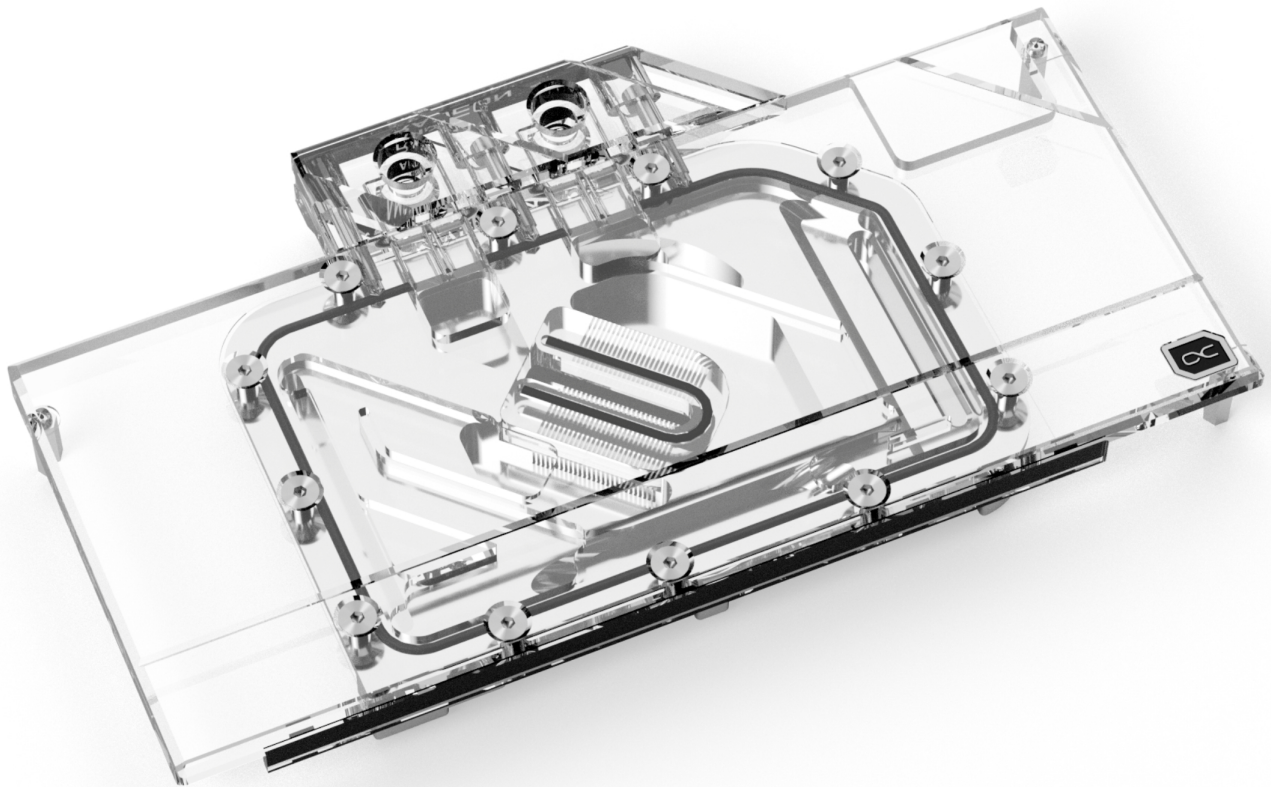


Alphacool Eisblock Aurora Acryl GPX-A RX 6750 XT Reference with Backplate

Alphacool article number: 18670



Quick Info

The Alphacool Eisblock Aurora Acrylic GPX graphics card water cooler with backplate combines style with performance. Extreme cooling performance and an extensive digital RGB lighting characterize it. Experience and technical know-how from more than a decade have gone into the development, without making any technical compromises. The Eisblock Aurora Acryl GPX is a significant evolution of the previous Alphacool graphics card water cooler, which has been improved in every area.

- Fullcover water block
- Chrome-plated copper cooler
- Adressable digital RGB LEDs

Compatibility

- AMD Radeon™ RX 6750 XT

Scope of delivery

2x 15x42x1mm thermal pad (7 W/mK)	6x M2 washer
1x 15x56x1mm thermal pad (7 W/mK)	1x Thermal grease (Alphacool Subzero 16 W/mK)
1x 8x74x1mm thermal pad (7 W/mK)	7x M2x11 screw
1x 15x51x2mm thermal pad (7 W/mK)	1x digital-RGB adapter
1x 15x76x2mm thermal pad (7 W/mK)	1x plug tool
1x 8x74x3mm thermal pad (3 W/mK)	2x screw plug
2x 15x40x3mm thermal pad (3 W/mK)	1x M3x5 screw
1x 8x56x3mm thermal pad (3 W/mK)	1x M3 nut
1x 30x30x3mm thermal pad (3 W/mK)	1x backplate
6x M2x5 screw	

Technical data cooler

L x W x H	230,19 x 125,8 x 35,5mm
Material cooler	chrome-plated copper
Material cooler top	acrylic
Threads	4 x G1/4
Thickness cooling fins	0,6 mm
Illumination	digital aRGB LEDs
Power connector digital aRGB LEDs	3-Pin JST
Power digital aRGB LEDs	5V
Number of digital aRGB LEDs	11

Technical data backplate

L x W x H	230,19 x 101,3 x 6mm
Material	aluminium
Color	black

Download links

Manual	18670_Alphacool_Eisblock_Aurora_Acryl_GPX-A_RX_6750_XT_Reference_with_Backplate_Manual.pdf
Product pictures	18670_Alphacool_Eisblock_Aurora_Acryl_GPX-A_RX_6750_XT_Reference_with_Backplate_pics.zip

Packaging dimensions per unit

L x W x H	355 x 170 x 45 mm
Weight	1375 g

Other data

Certificates	CE, FC, RoHS
EAN	4250197186704
Customs code	84195080900

The Alphacool Eisblock Aurora Acrylic GPX graphics card water cooler with backplate combines style with performance. Extreme cooling performance and an extensive digital RGB lighting characterize it. Experience and technical know-how from more than a decade have gone into the development, without making any technical compromises. The Eisblock Aurora Acryl GPX is a significant evolution of the previous Alphacool graphics card water cooler, which has been improved in every area.

More performance!

During the development of the Eisblock Aurora Acryl GPX graphics card water cooler, emphasis was naturally placed on increasing performance. First, the cooler was brought closer to the individual components by reducing the thickness of the heat conducting pads. Next, the nickel-plated copper block was also made thinner. Step 3 involves the constant optimisation of the water flow within the cooler. The result: All important components such as voltage converters and RAM are cooled much better and more effectively by the water and the cooling performance increases significantly.

Chrome-plated copper

The cooler is made entirely of chrome-plated copper. A chrome plating is much harder than a nickel plating and therefore less sensitive to acids, scratches and damage. It completely eliminates the risk of chipping nickel plating. Additionally, chrome plating looks much more homogeneous and provides a shine that cannot be achieved by nickel plating. Chrome-plated coolers have previously only been used in the industrial sector in areas where extreme influences act on the coolers.

Brilliant design!

The addressable digital aRGB LEDs are embedded directly in the cooling block and run along the sides of the entire cooler. The effect is an illumination that engulfs the entire cooling block. No corner or edge is left unlit by the aRGB LEDs. The new design is more angular, with all edges bevelled. The result is better light diffusion in the water cooler due to the reflections on these bevels. They also create various contours that give the Eisblock Aurora Acryl GPX cooler its very own visual touch.

Thermal paste & thermal pads

The included thermal compound is Alphacool's Subzero. With a thermal conductivity of 16 W/mk, it is one of the highest performing thermal pastes on the market. The electrically non-conductive thermal compound is particularly well suited for high contact pressures, but can still be processed perfectly due to its viscosity of 850000 TF. Alphacool Soft Pads with 1mm and 2mm thickness are used on the voltage converter and the graphics memory. The thermal conductivity of the pads is 7W/mK. The pads for the back of the PCB are 3mm thick and have a thermal conductivity of 3W/mk.

Other special features

The Eisblock Aurora Acryl GPX GPU cooler has the patented screw plugs, which sit flush with the surface of the terminal. The Alphacool logo sits in the corner on the top and is also fully illuminated. On the front of the terminal, corresponding designations of the compatible graphics card manufacturers can be seen. Of course, these are also fully illuminated by the addressable digital LEDs. IN and OUT are marked by small discreet triangles. They are easily recognisable and fit perfectly into the overall visual line of the graphics card water cooler.

