

## Alphacool Apex Grip offset 16mm OT/IT G1/4 rotatable white

Alphacool article number: 14893



### Quick Info

The Alphacool Apex Grip fittings are built around a modular system that allows for flexible and customized connection solutions in modern custom water-cooling setups. Combined with the refined and distinctive Apex design, high-quality workmanship, and user-friendly handling, the series is an ideal choice for demanding systems.

- Modular design
- Optimized surface for better grip
- High flow performance
- Premium Apex design

### Scope of delivery

1x Apex Grip offset 16mm OT/IT G1/4 rotatable white

## Technical Data

Dimensions (LxWxH)	39,50 x 23,50 x 24,10mm
Diameter	19,40mm
Material	Brass
Material Grip Surface	Silicone
Threads	2x G1/4
Thread Length	5mm
Color	white

## Download links

Product pictures	<a href="#">14893_Alphacool_Apex_Grip_offset_16mm_OT-IT_G1-4_rotatable_white_pics.zip</a>
EU-DoC / CE / RoHS	<a href="#">Alphacool_EuDoc_CE_RoHS_14893.pdf</a>

## Packaging dimensions per unit

L x W x H	60 x 60 x 60 mm
Weight	200 g

## Other data

Certificates	CE, FC, RoHS
EAN	4250197148931
Customs code	74198090980
Guarantee	5 years

## Article text

The Alphacool Apex Grip fittings are built around a modular system that allows for flexible and customized connection solutions in modern custom water-cooling setups. Combined with the refined and distinctive Apex design, high-quality workmanship, and user-friendly handling, the series is an ideal choice for demanding systems.

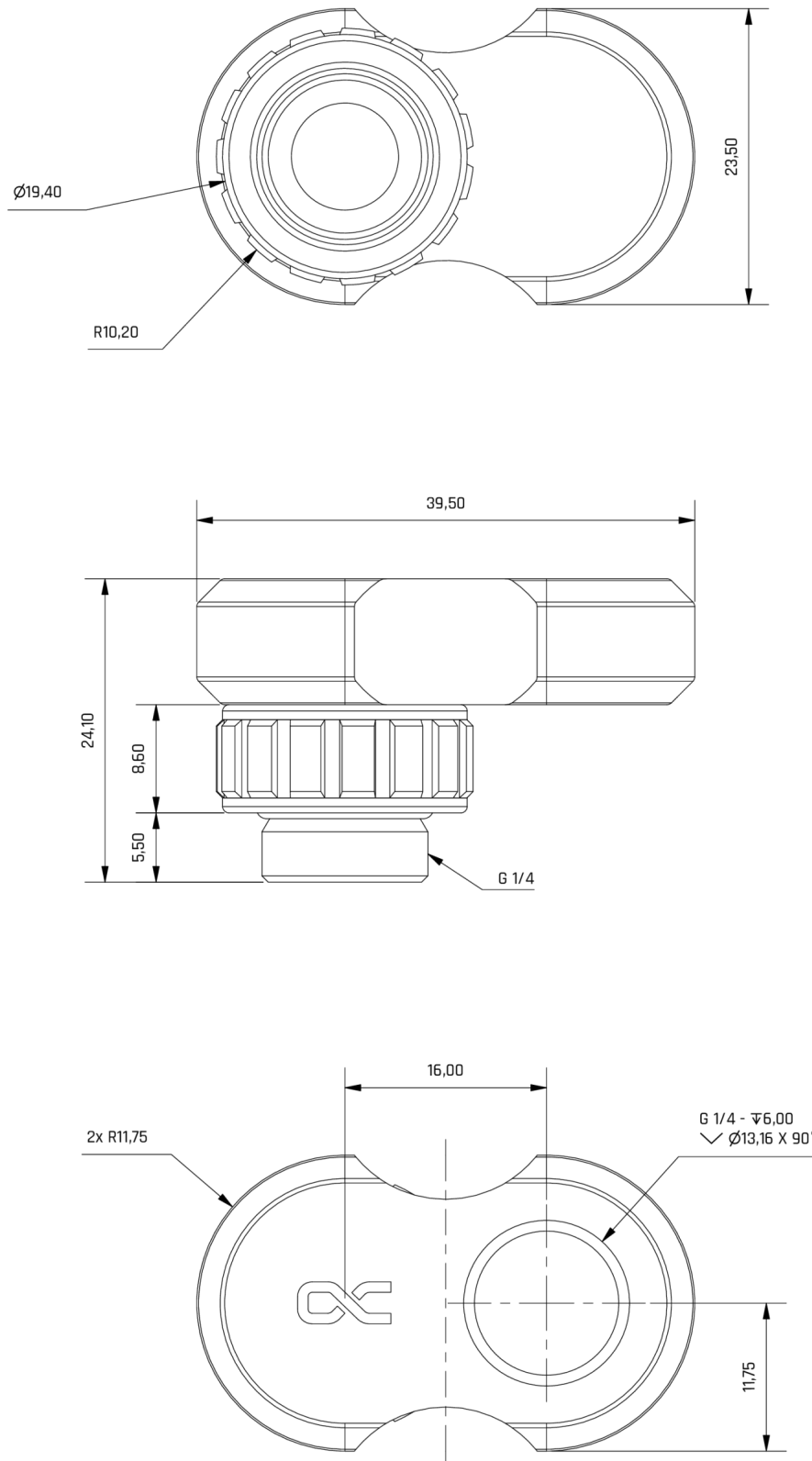
A defining feature of the Apex Grip series is the integrated silicone surface on the outer grip area of each fitting. It provides enhanced grip when tightening by hand and makes installation noticeably easier, especially in confined spaces with limited access. This not only improves installation comfort, but also gives the user greater control during assembly.

Made from high-quality brass, the fittings offer excellent stability and long-term durability. A premium coating further enhances the series by helping to prevent paint chipping while emphasizing its elegant overall appearance.

Precision manufacturing ensures a reliable seal within the cooling loop while supporting high-flow performance throughout the system. At the same time, the modular design offers a high degree of versatility, making the fittings easy to adapt to a wide range of custom water-cooling configurations.

The Apex Grip fittings are the perfect choice for anyone who values comfortable handling and a refined appearance in their custom water-cooling system.

Figure (1)

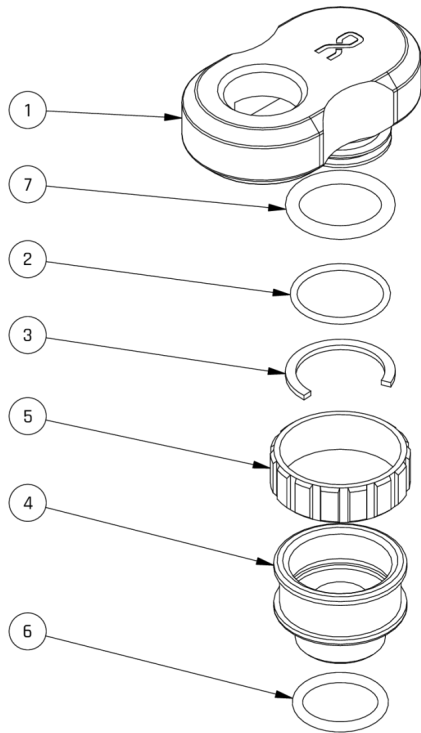


General tolerance:  $\pm 0,25\text{mm}$   
Dimension in millimeter

## Figure (2)

### Mechanical properties:

Minimum temperature t min = -20°C	Working pressure p = 0,0 - 2,0Bar
Working temperature t = 20°C	Maximum pressure p max = 4,0Bar
Maximum temperature t max = 60°C	Maximum torque of G thread M max = G1/4 = 1,0Nm <small>ISO 228-1 Parallel Whitworth pipe thread BSPP (GB)</small>



### Spare parts list

Number	Quantity	Description	Material
1	1	Main Part	CuZn39Pb3
2	1	O-Ring 13,5 x 1,5	NBR Shore 70
3	1	Clamping ring	X10CrNi18-8
4	1	Bottom part	CuZn39Pb3
5	1	Rubber Ring	NBR Shore 90
6	1	O-Ring 11x 1,5mm	NBR Shore 70
7	1	O-Ring 12 x 2	NBR Shore 70