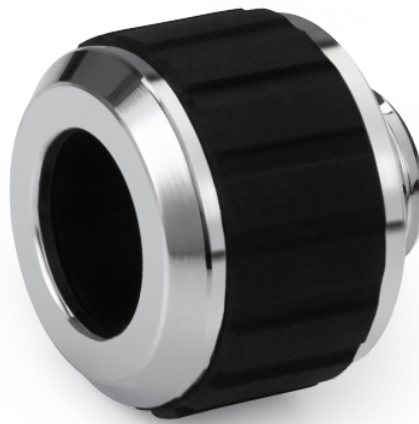


Alphacool Apex Grip HardTube fitting 13mm G1/4 chrome

Alphacool article number: 14884



Quick Info

The Alphacool Apex Grip fittings are built around a modular system that allows for flexible and customized connection solutions in modern custom water-cooling setups. Combined with the refined and distinctive Apex design, high-quality workmanship, and user-friendly handling, the series is an ideal choice for demanding systems.

- Modular design
- Optimized surface for better grip
- High flow performance
- Premium Apex design

Scope of delivery

1x Apex Grip HardTube fitting 13mm G1/4 chrome

Technical Data

Height	22,20mm
Diameter	23,50mm
Material	Brass
Material Grip Surface	Silicone
Threads	G1/4
Thread Length	5mm
Hardtube compatibility	13mm outer diameter (OD)
Color	chrome

Download links

Product pictures	14884_Alphacool_Apex_Grip_HardTube_fitting_13mm_G1-4_chrome_pics.zip
EU-DoC / CE / RoHS	Alphacool_EuDoc_CE_RoHS_14884.pdf

Packaging dimensions per unit

L x W x H	60 x 60 x 60 mm
Weight	200 g

Other data

Certificates	CE, FC, RoHS
EAN	4250197148849
Customs code	74198090980
Guarantee	5 years

Article text

The Alphacool Apex Grip fittings are built around a modular system that allows for flexible and customized connection solutions in modern custom water-cooling setups. Combined with the refined and distinctive Apex design, high-quality workmanship, and user-friendly handling, the series is an ideal choice for demanding systems.

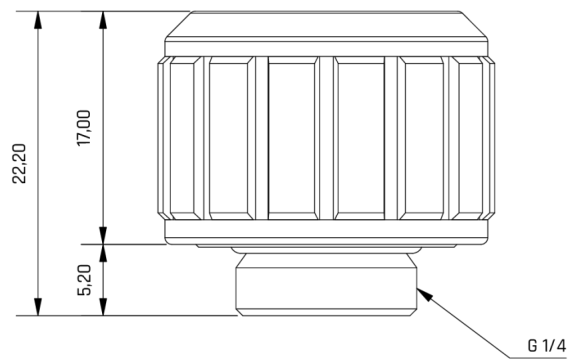
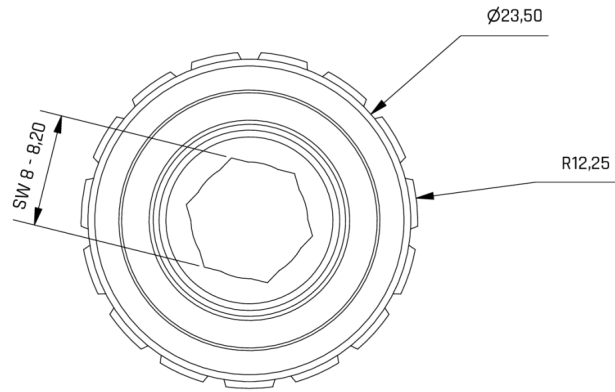
A defining feature of the Apex Grip series is the integrated silicone surface on the outer grip area of each fitting. It provides enhanced grip when tightening by hand and makes installation noticeably easier, especially in confined spaces with limited access. This not only improves installation comfort, but also gives the user greater control during assembly.

Made from high-quality brass, the fittings offer excellent stability and long-term durability. A premium coating further enhances the series by helping to prevent paint chipping while emphasizing its elegant overall appearance.

Precision manufacturing ensures a reliable seal within the cooling loop while supporting high-flow performance throughout the system. At the same time, the modular design offers a high degree of versatility, making the fittings easy to adapt to a wide range of custom water-cooling configurations.

The Apex Grip fittings are the perfect choice for anyone who values comfortable handling and a refined appearance in their custom water-cooling system.

Figure (1)



General tolerance: $\pm 0,25\text{mm}$
Dimension in millimeter

Figure (2)

Mechanical properties:

LED quantity and length	0pc. / L = 0mm	Maximum filling volume ml =	-	Maximum torque of M max =
LED Voltage V =	0 V	Working pressure p =	0,0 - 1,0Bar	
LED Ampere A =	0 A	Maximum pressure p max =	2,0Bar	DIN 13-1 Metric ISO standard thread
LED Power W =	0 W	Maximum torque of G thread M max =	G1/4 = 1,0Nm	
Minimum temperature t min =	-20°C	ISO 228-1 Parallel Whitworth pipe thread BSPP (GB)		
Working temperature t =	20°C	Max. torque of UNC thread M max =		
Maximum temperature t max =	60°C	Unified Thread Standard (UTS)		

Spare parts list

Number	Quantity	Description	Material
1	1	Top part	CuZn39Pb3
2	1	O-Ring 14x 1,5mm	NBR Shore 70
3	1	Rubber Ring	NBR Shore 90
4	1	Cone seal	NBR Shore 70
5	1	Bottom part	CuZn39Pb3
6	1	O-Ring 11x 1,5mm	NBR Shore 70

