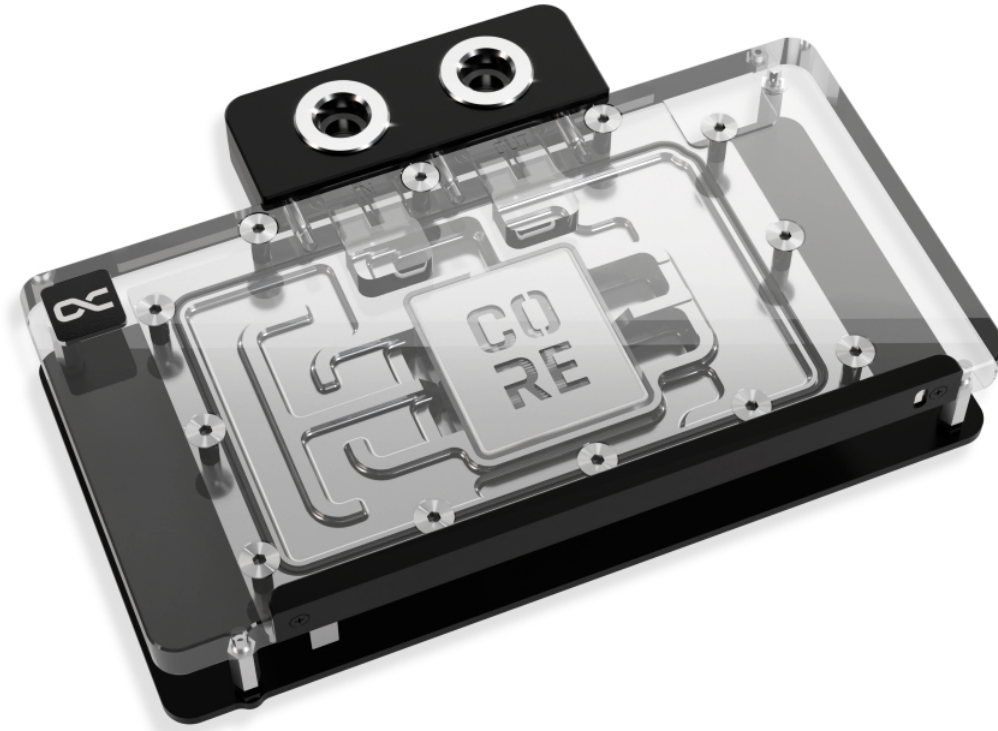


## Alphacool Core Geforce RTX 5080/5070Ti GamingPro with Backplate

Alphacool article number: 14741



### Quick Info

Alphacool introduces its new series of graphics card water coolers for the latest Nvidia GeForce RTX generation. Part of the Core product series, these coolers combine the highest quality with exceptional performance. Thanks to an optimized technical design, these GPU coolers deliver outstanding cooling performance.

- Optimized water flow through software and practical measurements
- Massive brass threads for secure fastening
- Superior chrome plating instead of nickel plating on the copper cooler
- Core design for maximum quality and feel

### Compatibility

- Palit GeForce RTX™ 5070 Ti GamingPro (NE7507T019T2-GB2031A)
- Palit GeForce RTX™ 5070 Ti GamingPro OC (NE7507TS19T2-GB2031A)
- Palit GeForce RTX™ 5080 GamingPro (NE75080019T2-GB2031A)
- Palit GeForce RTX™ 5080 GamingPro OC (NE75080S19T2-GB2031A)

## Scope of delivery

1x Core Geforce RTX 5080/5070Ti GamingPro cooler	1x 45x45x3mm Pad
1x Backplate	1x 20x8x3mm Pad
1x 55x15x1mm Pad	1x Thermal Grease
2x 26x15x1mm Pad	1x Putty tool
1x 83x8x1mm Pad	1x ARGB Adapter
3x 15x8x1mm Pad	1x Plug tool
1x 8x8x1mm Pad	1x Screwdriver
2x 26x8x3mm Pad	2x G1/4" Plug
1x 55x8x3mm Pad	8x M2x10mm screws

## Technical data cooler

Dimensions total (L x W x H)	184,70 x 125,32 x 34,19mm
Material cooler	chrome-plated copper
Material cooler top	Acrylic
Material terminal	Nylon
Material Connection thread	Brass
Max working temperature	60°C
Pressure tested	0,8 bar
Threads	4 x G1/4"
Thickness cooler bottom	3,25mm
Thickness cooling fins	0,4mm
Distance cooling fins	0,4mm
Illumination	digital aRGB LEDs
Power connector digital aRGB LEDs	3-Pin JST
Power digital aRGB LEDs	5V
Number of digital aRGB LEDs	8
Color	transparent

## Technical data backplate

Dimensions (L x W x H)	184,70 x 96,75 x 6,00mm
Thickness backplate without spacers	3mm
Material	Aluminium

## Download links

Manual	<a href="#">14741_Alphacool_Core_Geforce_RTX_5080-5070Ti_GamingPro_with_Backplate_Manual.pdf</a>
Product pictures	<a href="#">14741_Alphacool_Core_Geforce_RTX_5080-5070Ti_GamingPro_with_Backplate_pics.zip</a>

## Packaging dimensions per unit

L x W x H	340 x 202 x 52 mm
Weight	1180 g

## Other data

Certificates	CE, FC, RoHS
EAN	4250197147415
Customs code	84195080900
Guarantee	3 years

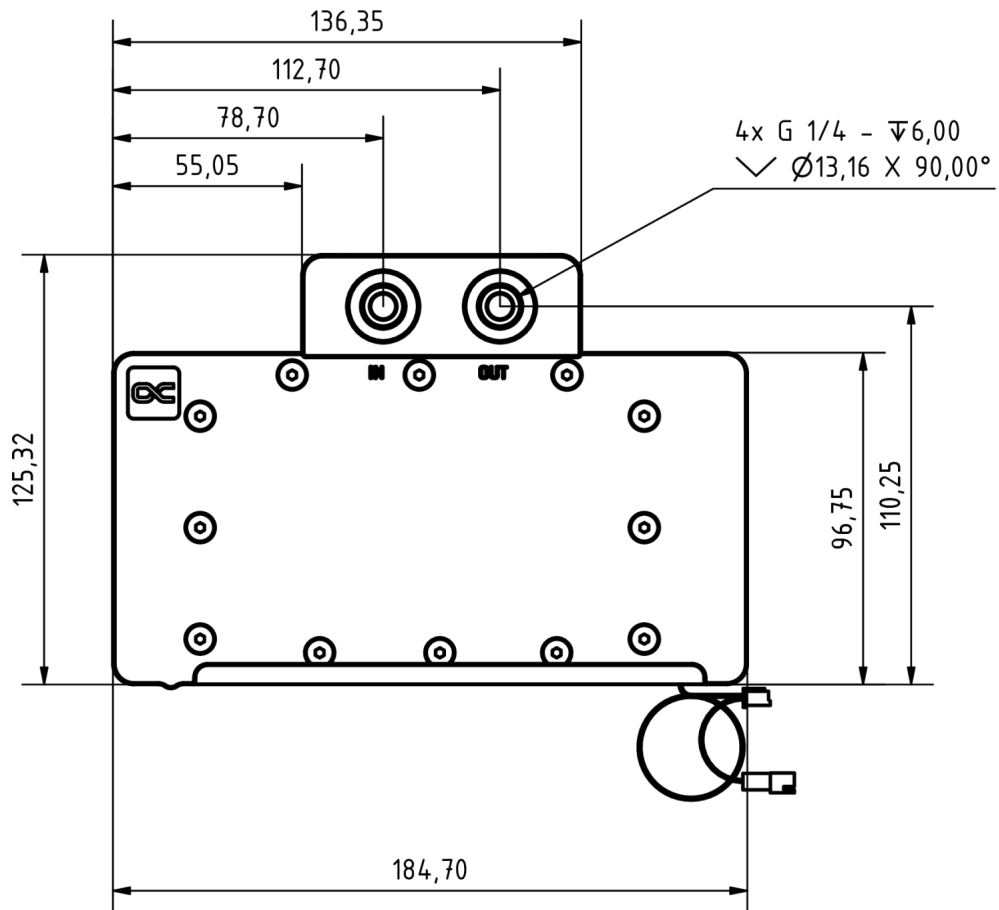
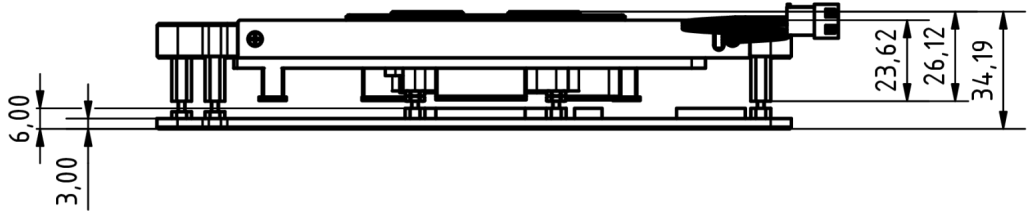
## Article text

Alphacool introduces its new series of graphics card water coolers for the latest Nvidia GeForce RTX generation. Part of the Core product series, these coolers combine the highest quality with exceptional performance. Thanks to an optimized technical design, these GPU coolers deliver outstanding cooling performance.

At the heart of the cooler is a copper block, precisely milled from a single piece and complemented by a precisely crafted brass terminal with a nylon cover. A chrome finish enhances the copper cooler's durability and provides a smoother, more radiant surface than traditional nickel plating.

The visual design of the GPU water cooler has been slightly modified. A new highlight is the Core emblem placed above the jetplate, which emphasizes its affiliation with the Core series and visually enhances the design. The series continues to feature high-quality brass connectors that ensure optimal quality and safety. The specially adapted aluminum backplate covers the entire backside of the copper cooler, ensuring a clear and uniform appearance. The acrylic, combined with aRGB lighting, allows for even and impressive illumination of the entire cooler.

The GPU water cooler has been completely overhauled technically. To optimize cooling performance, the distances between the cooler and the components of the PCB were redefined and tested. The water flow was simulated using the most advanced software and verified through practical tests. These extensive tests allowed for improvements to the cooler base and jetplate, ensuring the best possible cooling performance for the new Nvidia GeForce RTX generation.



General tolerance: ± 0,25mm  
 Thickness with graphics card (PCB)  
 Dimension in millimeter