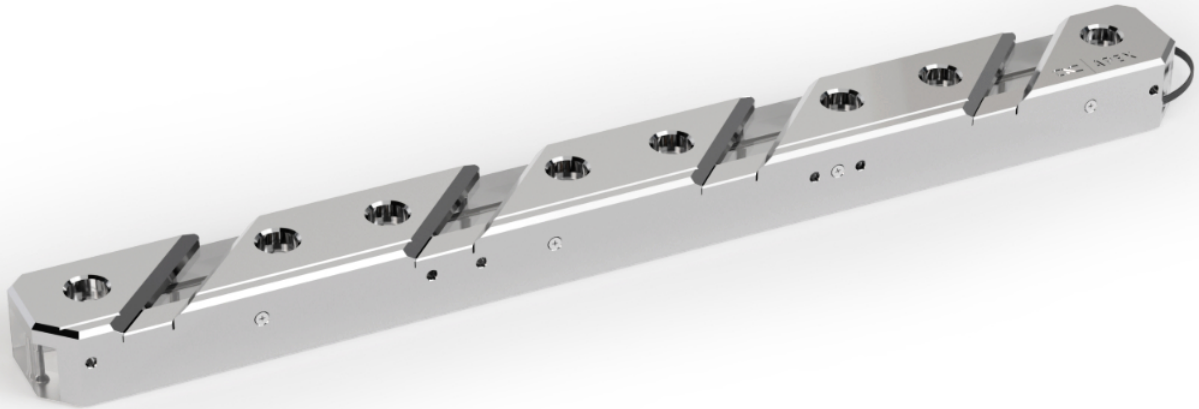


Alphacool Apex Manifold 360mm

Alphacool article number: 14678



Quick Info

The Apex Manifold 360mm is the ideal solution for a visually unique custom water-cooling build. Thanks to its numerous connection options, it ensures especially clean tubing and creates a clear, tidy appearance inside the system.

- Unique Apex design
- Transparent acrylic distro plate
- G1/4" brass thread
- Improved aesthetics of the tubing
- Multiple mounting options
- Brilliant digital aRGB illumination

Scope of delivery

1x Apex Manifold 360mm	1x PCIe Bracket 1
4x M3x6 Screw	1x PCIe Bracket 2
2x Mounting Bracket 1	1x ARGB Adaptor
6x M3x12 Schrauben	2x G1/4 Plug
9x M3x5mm Screw	1x Plug tool
1x Mounting Bracket 2	

Technical data

Dimensions (L x W x H)	360,00 x 36,00 x 24,00 mm
Material	Acrylic
Threads	8x G1/4" brass thread
Maximum working temperature	60 °C
Working pressure	0.0 - 1.0 Bar
Pressure tested	0.8 Bar
Maximum pressure	2.0 Bar
Quantity digital aRGB LEDs	18
Power digital aRGB LEDs	5V
Power connection digital aRGB LEDs	3-Pin JST + 3-Pin 5V
Weight	764g
Color	Chrome Transparent

Download links

Manual	14678_Alphacool_Apex_Manifold_360mm_Manual.pdf
Product pictures	14678_Alphacool_Apex_Manifold_360mm_pics.zip
EU-DoC / CE / RoHS	Alphacool_EuDoc_CE_RoHS_14678.pdf

Packaging dimensions per unit

L x W x H	360 x 140 x 30 mm
Weight	1464 g

Other data

Certificates	CE, FC, RoHS
EAN	4250197146784
Customs code	84733080000
Guarantee	3 years

The Apex Manifold 360mm is the ideal solution for a visually unique custom water-cooling build. Thanks to its numerous connection options, it enables especially clean tubing runs and creates a neat, organized appearance inside the system.

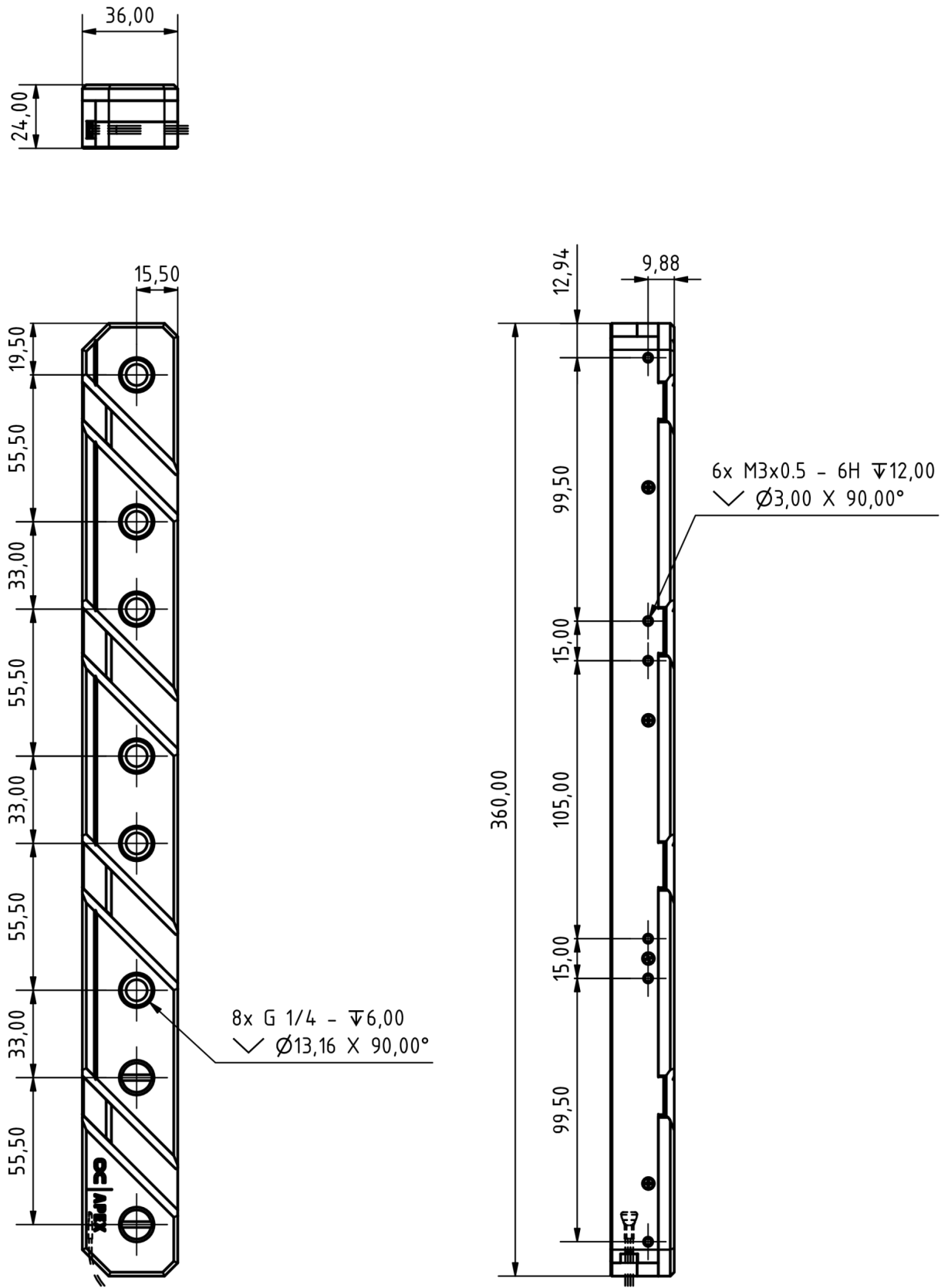
Four chambers and eight G1/4" inlet and outlet ports offer versatile options for integrating various components into the water-cooling loop. This allows hard tubes or soft tubes to be routed particularly straight and easily, giving the entire custom loop an exceptional look. The Apex Manifold 360mm supports the connection of at least three components and stands out with high-quality brass threads, which effectively help prevent the risk of leaks caused by cracking, integrated aRGB lighting that can be controlled via a digital aRGB header on the motherboard or optionally via the Alphacool Aurora Eiscontrol aRGB Controller (item no. 15360), and the distinctive Apex design featuring chrome-plated brass elements and clear acrylic.

Thanks to its various mounting options, the Apex Manifold 360mm can be installed flexibly in a wide range of positions inside the case. It can be mounted directly to a radiator, both with and without fans. In addition, the Apex Manifold 360mm can be mounted next to water-cooling components such as tube reservoirs. This is made possible by an extensive mounting kit. Mounting to the PCIe bracket can also be achieved using the included kit.

The Apex Manifold 360mm can be mounted either front-facing or rotated by 90° on the bracket. This allows it to be optimally adapted to the system layout and integrated even more effectively into the water-cooling loop.

With its transparent acrylic body in the Apex design, the manifold not only improves the structure of the loop, but also elevates the overall aesthetics of the water-cooling system to a new level.

Figure



General tolerance: $\pm 0,25\text{mm}$
 Dimension in millimeter