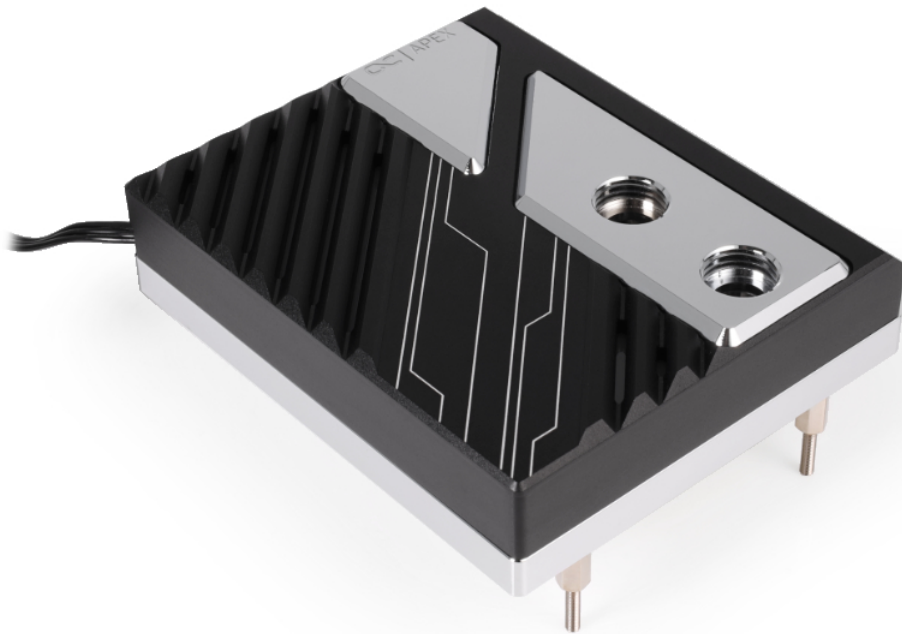


## Alphacool Apex 1 CPU cooler AM5

Alphacool article number: 13893



### Quick Info

The Alphacool Apex series represents maximum cooling performance, exceptional design, and premium material selection for high-end custom water cooling systems. The Alphacool Apex 1 is the first CPU water block in the Apex series and combines all its unique features in a robust CPU cooler.

- New improved jetplate
- Processors hotspot optimized
- Fast and Easy installation
- Beautiful aRGB illumination

### Compatibility

**AMD:** AM5

## Scope of delivery

1x Thermal Grease	4x M5 Flag nut
1x Putty tool	1x ARGB Adapter
1x Apex 1 AM5	2x Spare Distance Bolt

## Technical data

Dimensions (L x W x H)	100,00 x 86,00 x 32,30mm
Cooler material	Nickel-plated copper
Material cooler top	Aluminium
Material threads	Nickel-plated Brass
Threads	2 x G1/4"
Fin thickness	0,4mm
Fin distance	0,4mm
Maximum operating temperature	60 °C
Weight	995g
Color	Black   Accent: Chrome

## Download links

Manual	<a href="#">13893_Alphacool_Apex_1_CPU_cooler_AM5_Manual.pdf</a>
Product pictures	<a href="#">13893_Alphacool_Apex_1_CPU_cooler_AM5_pics.zip</a>

## Packaging dimensions per unit

L x W x H	255 x 175 x 75 mm
Weight	1160 g

## Other data

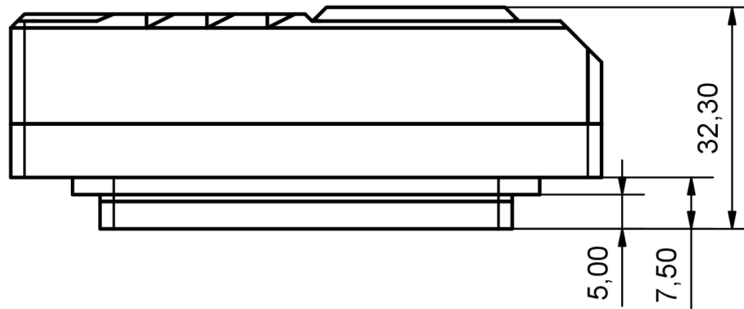
Certificates	CE, FC, RoHS
EAN	4250197138932
Customs code	84195080900
Guarantee	5 years

The Alphacool Apex series represents maximum cooling performance, exceptional design, and premium material selection for high-end custom water cooling systems. The Alphacool Apex 1 is the first CPU water block in the Apex series and combines all its unique features in a robust CPU cooler.

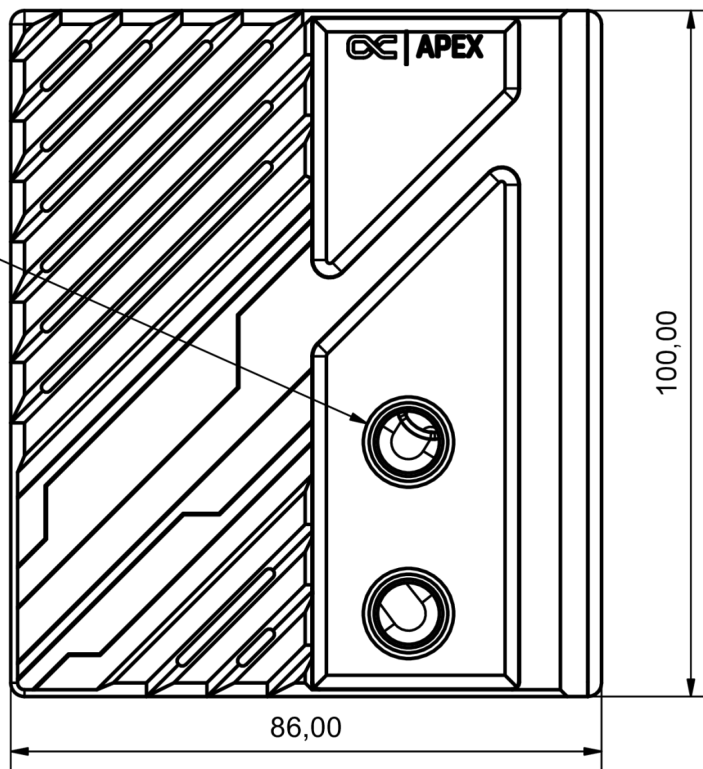
For the AMD AM5 version of the Apex 1 CPU cooler, Alphacool utilizes an offset cooler base that does not sit centrally on the CPU. This design ensures that the water injection is positioned directly over the CPU's hotspot, resulting in optimal cooling performance. Alphacool relies on its proven cross-slot technology and introduces the 3D Jetplate 2.0, an evolution of the original 3D Jetplate. The improved design of the Jetplate creates higher water pressure. Additionally, a pre-chamber located before the 3D Jetplate 2.0 calms the incoming water and evenly distributes it across the Jetplate and the cooling fins beneath the cooler base.

The lower part of the Apex 1 CPU cooler is crafted from a solid block of copper. The connection section is made from brass, and both components are precisely CNC-machined from their respective material blocks. The cooler is assembled with an aluminum cover that nearly encloses the entire unit. Fine Apex design elements on the top surface allow the uniform illumination of the aRGB lighting to shine through. Moreover, an additional lighting element on the right side of the cooler emits a diffused glow towards the RAM slots.

The Apex 1's cooling block is specifically designed to cover both the CPU socket and the mounting holes, giving it a sleek and seamless appearance. Despite this sophisticated design, installation remains straightforward: the cooler is positioned on the top of the motherboard while the backplate is secured from underneath using screws.



2xG 1/4 - 6,00 Depth  
∠ Ø13,16 X 90,00°



General tolerance: ± 0,25mm  
Dimension in millimeter