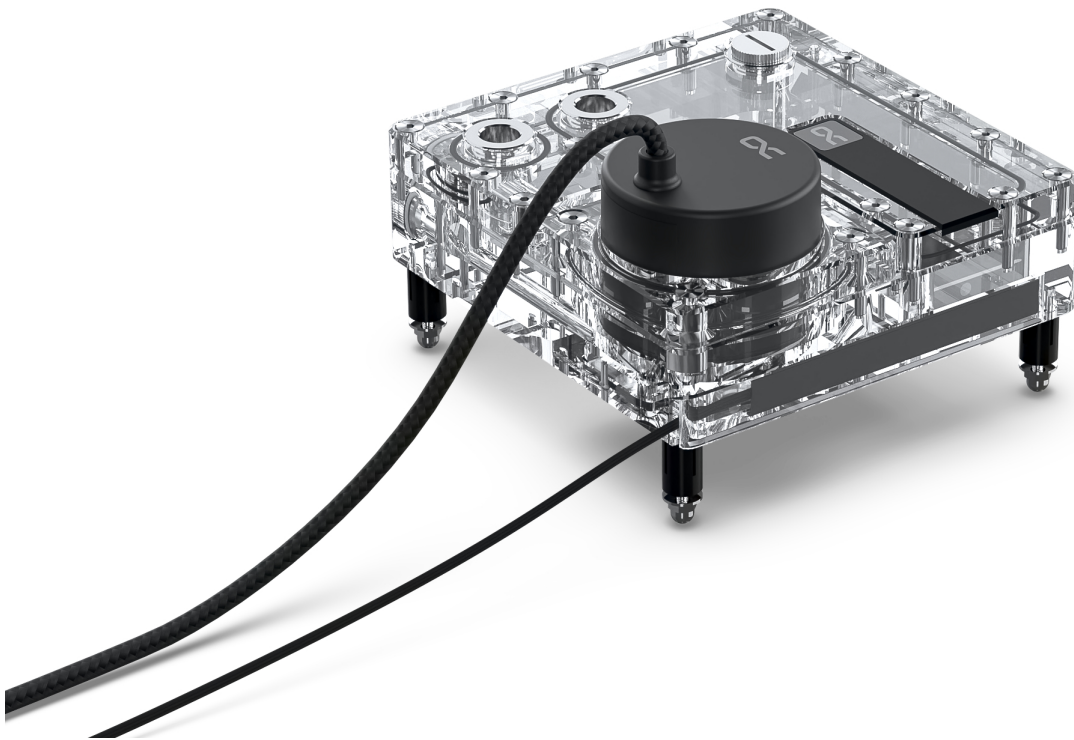


Alphacool Core 140mm Reservoir with VPP/D5 Pump

Alphacool article number: 13889



Quick Info

The Alphacool Core Reservoir not only looks sleek with its aRGB lighting, but can also be used flexibly thanks to its compact size. The reservoir is made entirely of acrylic. The installation of a D5 or VPP pump is required for operation. Due to its compact design, the Core Reservoir also fits into small cases.

- Easy filling, draining and venting
- Transparent Reservoir
- Brilliant digital aRGB illumination
- Pre-installed Alphacool VPP Apex pump

Scope of delivery

1x Core 140mm Reservoir
1x VPP Apex Pump
1x O-Ring
1x Allen Key
4x M4x22 Pump Screw

1x Core Push Mount Set
1x Plug tool
1x ARGB Adapter
2x G1/4 Plug

Technical data

Dimensions (L x W x H)	140.00 x 145.00 x 62.00mm
Volume (reservoir)	approx. 130ml
Material	Acryl
Pump compatibility	D5/VPP
Threads	3x G1/4" inner thread / 1x drain port
Maximum working temperature	60 °C
Pressure tested	0.8 Bar
Quantity digital aRGB LEDs	5
Voltage digital aRGB LEDs	5V
Power connection digital aRGB LEDs	3-Pin JST + 3-Pin 5V
Weight	1120g
Color	transparent

Technical data pump

Material pump	synthetic material
Material pump cover	aluminium
Material axle	ceramics
Connections	4-Pin PWM SATA
Rotational speed	2500 - 4500 RPM
Cable lengths	4-Pin PWM - 48cm SATA - 48cm
Operating voltage	8-13V DC / 14W IP32
Starting voltage	12V DC
Maximum pumping head	4,25m
Maximum flow rate	340L/h
Maximum working temperature	60°C
Color	black

Download links

Manual	13889_Alphacool_Core_140mm_Reservoir_with_VPP-D5_Pump_Manual.pdf
Product pictures	13889_Alphacool_Core_140mm_Reservoir_with_VPP-D5_Pump_pics.zip

Packaging dimensions per unit

L x W x H	210 x 160 x 110 mm
Weight	1340 g

Other data

Certificates	CE, FC, RoHS
EAN	4250197138895
Customs code	84733080000
Guarantee	3 years

The Alphacool Core Reservoir not only looks sleek with its aRGB lighting, but can also be used flexibly thanks to its compact size. The reservoir is made entirely of acrylic. The installation of a D5 or VPP pump is required for operation. Due to its compact design, the Core Reservoir also fits into small cases.

Core Design

A key element of Alphacool's Core Design series are the chrome-plated G1/4" connections made of brass. In the Core Reservoir, the connections are recessed rather than screwed into a thread, bypassing the problem of possible leaks due to cracking from the direct screwing of the connections into the acrylic. The connections are in two parts, fitted with an O-ring and counter each other when mounted in the acrylic. This not only ensures absolute sealing of each connection, but also allows for the clear and functional appearance of the Alphacool Core Design series.

Easy installation

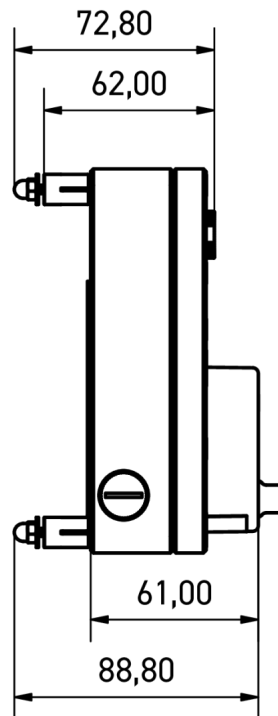
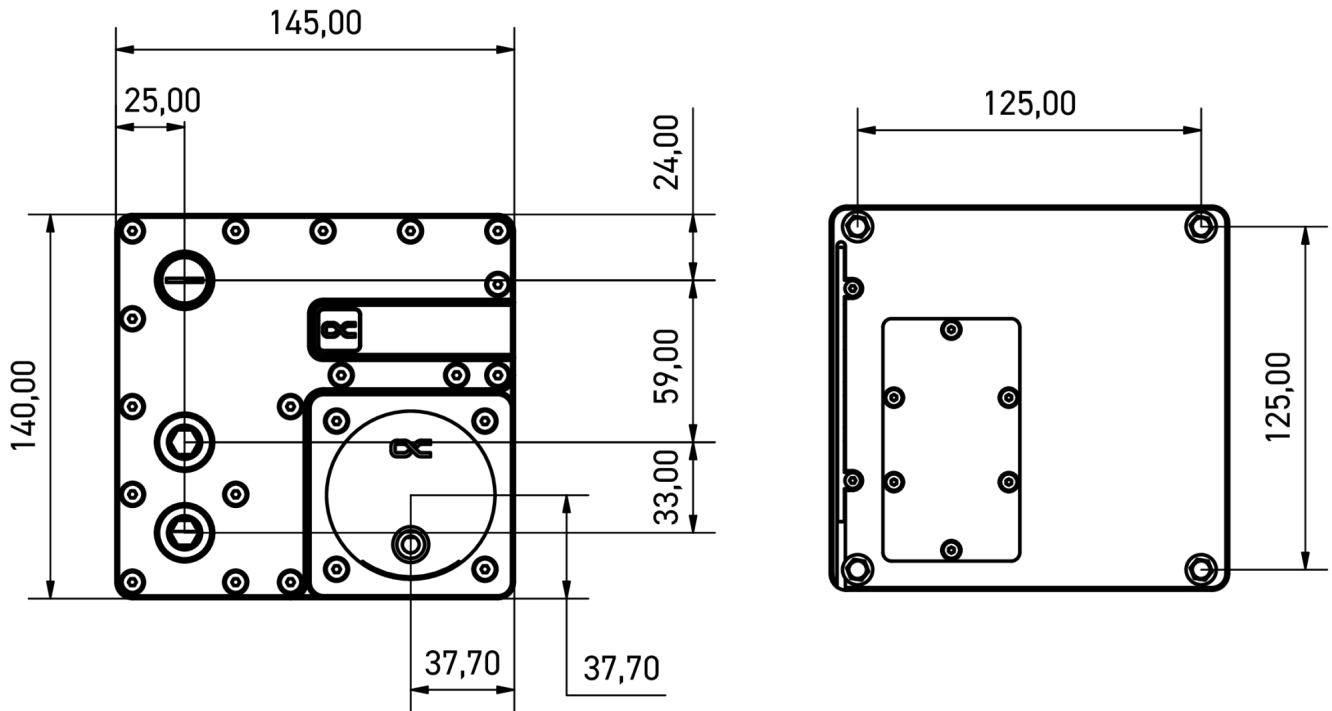
With the included Core Push Mounting kit, the Core Reservoir can be mounted on the case or on a radiator. The metal pins are attached to the radiator or case panel and the matching female sleeves are attached to the Reservoir (see manual). In the next installation step, the Reservoir is simply and tool-free pushed onto the pins. Alphacool's Push-Mounting allows for a secure fit of the reservoir on the case panel or on the radiator and allows for easy disassembly for maintenance or expansion projects.

Gamechanger

The Core Reservoir is small and compact. This makes the reservoir ideal for custom water loops. An additional drain port is located on the side, allowing for easy and uncomplicated draining of the Reservoir.

High-quality material selection & brilliant lighting

Alphacool's Core Reservoir is made of high-quality acrylic glass, allowing for an unobstructed view of the coolant and brilliant illumination by the built-in digital addressable aRGB LEDs. The lighting can be controlled via a digital aRGB header on the motherboard or optionally through Alphacool's Aurora Eiscontrol aRGB controller (item number: 15360).



General tolerance: $\pm 0,25$ mm
Dimension in millimeter