

## Alphacool Core 1 LT Black

Alphacool article number: 13884



### Quick Info

With the Core 1 LT, Alphacool presents the light version of the proven Core 1 CPU water cooler. Housed in a polymer casing, the Core 1 LT also uses the reliable combination of 3D jetplate and cross-slot technology. This enables it to effectively dissipate the enormous waste heat of the latest desktop processors. With its elegant design, it integrates seamlessly into any water cooling system. The new mounting system is also included and simplifies installation with Intel and AMD processors.

- High performance Desktop CPU Cooler
- Reliable cooling with 3D-Jetplate
- Reworked Mounting-System
- Optimized for latest CPU Generations
- Housing made of polymer

### Compatibility

**AMD:** AM4 / AM5

**Intel:** LGA 1700

## Scope of delivery

1x Core 1 LT CPU Cooler	4x Screw sleeve
1x Thermal Grease	1x CPU Brackets INTEL Set
1x Putty tool	1x Core Backplate
1x CPU Brackets AMD Set	4x Threaded bolt INTEL
4x Threaded bolt AMD	4x EVA Washer

## Technical data

Dimensions (L x W x H)	71.80 x 71.80 x 28.05mm
Material cooler	nickel plated copper
Material cooler top	acetal
Material threads	acetal
Threads	2 x G1/4"
Fin thickness	0.4mm
Fin distance	0.4mm
Pressure tested	0.8 bar
Max working temperature	60°C
Weight	250g
Color	black

## Download links

Manual	<a href="#">13884_Alphacool_Core_1_LT_Black_Manual.pdf</a>
Product pictures	<a href="#">13884_Alphacool_Core_1_LT_Black_pics.zip</a>

## Packaging dimensions per unit

L x W x H	255 x 175 x 50 mm
Weight	670 g

## Other data

Certificates	CE, FC, RoHS
EAN	4250197138840
Customs code	84195080900
Guarantee	5 years

With the Core 1 LT, Alphacool presents the light version of the proven Core 1 CPU water cooler. Housed in a polymer casing, the Core 1 LT also uses the reliable combination of 3D jetplate and cross slot-technology. This enables it to effectively dissipate the enormous waste heat of the latest desktop processors. With its elegant design, it integrates seamlessly into any water cooling system. The new mounting system is also included and simplifies installation with Intel and AMD processors.

### **The best of new and old**

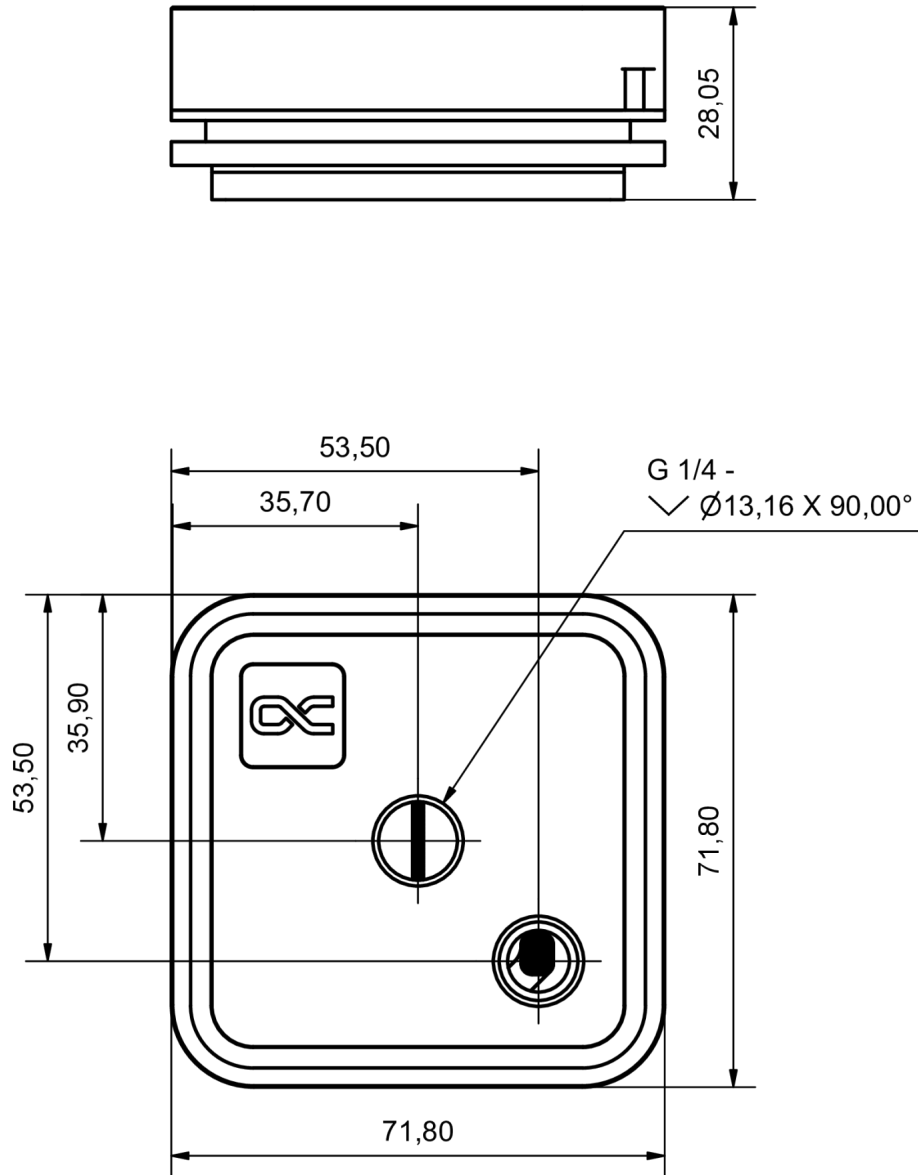
Alphacool combines the best of both worlds with the Core 1 water cooler series. In addition to the new 3D jetplate, Alphacool returns to its roots by distributing the coolant evenly across the redesigned cooler base using proven cross-slot technology. Inside the cooler, O-rings ensure a precise water flow and thus guarantee effective cooling. The nickel-plated copper base of the cooler has been enlarged to achieve full coverage of large CPUs.

### **New Mounting System**

The mounting system has also been revised. Compared to previous Alphacool models, it requires fewer screws. First, the pre-assembly of the backplate (Intel) is done with four spacers. After that, the thermal paste is applied to the CPU. Then, the matching mounting frame is put on the CPU cooler and fastened with four nuts on the spacers.

### **Core Design**

The functional and elegant design is a central element of the Core series from Alphacool. Its focus is on cooling performance at a fair price. The rounded corners add the perfect touch to the overall look. The Core 1 LT is available in both non-illuminated and transparent aRGB versions.



General tolerance:  $\pm 0,25$ mm  
Dimension in millimeter