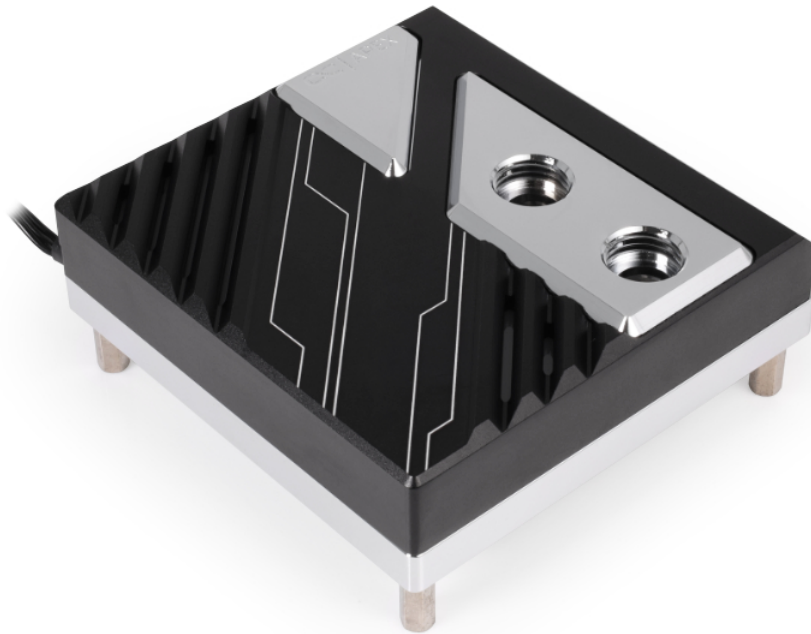


Alphacool Apex 1 CPU Cooler LGA 1700/1851

Alphacool article number: 13851



Quick Info

The Alphacool Apex series represents maximum cooling performance, exceptional design, and premium material selection for high-end custom water cooling systems. The Alphacool Apex 1 is the first CPU water block in the Apex series and combines all its unique features in a robust CPU cooler.

- New improved jetplate
- Processors hotspot optimized
- Fast and Easy installation
- Beautiful aRGB illumination

Compatibility

Intel: LGA 1700 / LGA 1851

Scope of delivery

| | |
|-------------------|------------------------|
| 1x Thermal Grease | 4x M5 Flag nut |
| 1x Putty tool | 1x ARGB Adapter |
| 1x Apex 1 AM5 | 2x Spare Distance Bolt |

Technical data

| | |
|-------------------------------|------------------------------|
| Dimensions (L x W x H) | 88,00 x 88,00 x 32,30mm |
| Cooler material | Nickel plated copper |
| Material cooler top | Aluminum |
| Material threads | Nickel plated brass |
| Threads | 2x G1/4" |
| Fin thickness | 0,4mm |
| Fin distance | 0,4mm |
| Pressure tested | 0,8 bar |
| Maximum operating temperature | 60°C |
| Weight | 890g |
| Color | Base: Black Accent: Chrome |

Download links

| | |
|------------------|--|
| Manual | 13851_Alphacool_Apex_1_CPU_Cooler_LGA_1700-1851_Manual.pdf |
| Product pictures | 13851_Alphacool_Apex_1_CPU_Cooler_LGA_1700-1851_pics.zip |

Packaging dimensions per unit

| | |
|-----------|-------------------|
| L x W x H | 255 x 175 x 75 mm |
| Weight | 1220 g |

Other data

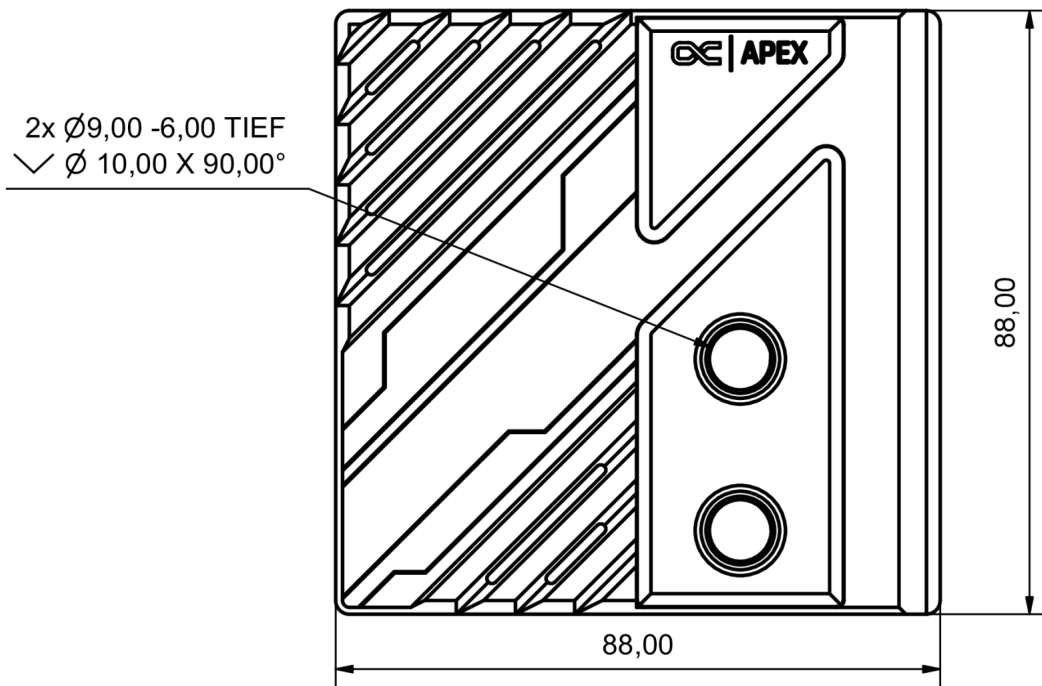
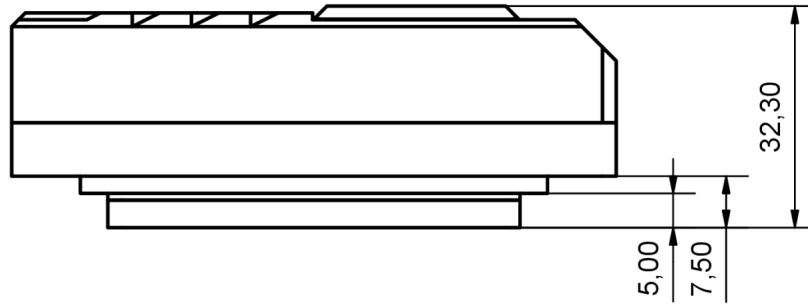
| | |
|--------------|---------------|
| Certificates | CE, FC, RoHS |
| EAN | 4250197138512 |
| Customs code | 84195080900 |
| Guarantee | 5 years |

The Alphacool Apex series represents maximum cooling performance, exceptional design, and premium material selection for high-end custom water cooling systems. The Alphacool Apex 1 is the first CPU water block in the Apex series and combines all its unique features in a robust CPU cooler.

In the Intel version of the Apex 1 CPU cooler, the cooler fully covers the entire socket and CPU, including its hotspot, ensuring exceptional cooling performance. Alphacool relies on its proven cross-slot technology and introduces the 3D Jetplate 2.0, an evolution of the original 3D Jetplate. The improved design of the Jetplate creates higher water pressure. Additionally, a pre-chamber located before the 3D Jetplate 2.0 calms the incoming water and evenly distributes it across the Jetplate and the cooling fins beneath the cooler base.

The lower part of the Apex 1 CPU cooler is crafted from a solid block of copper. The connection section is made from brass, and both components are precisely CNC-machined from their respective material blocks. The cooler is assembled with an aluminum cover that nearly encloses the entire unit. Fine Apex design elements on the top surface allow the uniform illumination of the aRGB lighting to shine through. Moreover, an additional lighting element on the right side of the cooler emits a diffused glow towards the RAM slots.

The Apex 1's cooling block is specifically designed to cover both the CPU socket and the mounting holes, giving it a sleek and seamless appearance. Despite this sophisticated design, installation remains straightforward: the cooler is positioned on the top of the motherboard while the backplate is secured from underneath using screws.



General tolerance: ± 0,25mm
Dimension in millimeter