

Alphacool Apex Stealth Metal Aurora Fan 2000rpm White (140x140x25mm)

Alphacool article number: 13788



Quick Info

High-quality, elegant, and timeless design combined with technical innovation – these are the defining features of the Alphacool Apex Stealth Metal Fan. With its patent-pending decoupling technology, robust metal frame, and specially designed rotor, this fan is built to impress. The Apex Stealth is not only one of the most powerful fans on the market but also remains exceptionally quiet at any speed.

- High performance fan
- Patent pending decoupling technology
- Frame made of high quality metal
- Controllable via PWM + Zero-RPM Control
- Brilliant aRGB illumination

Scope of delivery

1x Stealth Fan

1x PWM Extension cable 50cm

4x M3 Screw

4x 6-32 UNC Screw

4x M4 Screw

4x Stealth Mounting Nut

1x cleaning cloth

1x aRGB Extension cable 50cm

1x aRGB Adapter

Technical data

Dimensions (L x W x H)	140 x 140 x 25mm
Material (Frame)	Die-cast zinc
Material (Impeller)	Plastic
Weight	355g
Speed	300~2000±10% rpm
Bearing	Sleeve Bearing
Connection	4-Pin PWM
Cable length PWM / aRGB	40±8 mm (+ 50cm extension cable)
Cable length (daisy chain)	110±10 mm
Start-up Voltage	6 V DC
Rated Volt	12 V DC
Rated Current	0.40 A (0.44Max)
Power Consumption	5.28 Watt
Air Flow	75.12 CFM
Static Air Pressure	2.36 mmH ₂ O
Noise Level	32.8 dBA
MTBF	100,000h
PWM control	Yes
Zero RPM control	Yes
Tacho Signal	Yes
Auto-restart	Yes
aRGB	Yes
LED type	5V aRGB
aRGB connection	3-Pin JST
LED quantity	12
Color	White

Download links

Manual	13788_Alphacool_Apex_Stealth_Metal_Aurora_Fan_2000rpm_White_(140x140x25mm)_Manual.pdf
Product pictures	13788_Alphacool_Apex_Stealth_Metal_Aurora_Fan_2000rpm_White_(140x140x25mm)_pics.zip
EU-DoC / CE / RoHS	Alphacool_EuDoc_CE_RoHS_13788.pdf

Packaging dimensions per unit

L x W x H	180 x 170 x 33 mm
Weight	400 g

Other data

Certificates	CE, FC, RoHS
EAN	4250197137881
Customs code	84145915000
Guarantee	5 years

High-quality, elegant, and timeless design combined with technical innovation – these are the defining features of the Alphacool Apex Stealth Metal Fan. With its patent-pending decoupling technology, robust metal frame, and specially designed rotor, this fan is built to impress. The Apex Stealth is not only one of the most powerful fans on the market but also remains exceptionally quiet at any speed.

Whisper-quiet

The fan blades, motor, and its suspension are completely decoupled from the metal frame. A special damping system has been integrated between the metal frame and the fan, absorbing all vibrations. This type of decoupling is an entirely new system, introduced to the market for the first time by Alphacool with the Apex fan. Additionally, the impeller is equipped with a closed frame that prevents tip fluttering at high speeds, further enhancing the fan's performance characteristics.

Powerful all-rounder

The Alphacool Apex Stealth Metal Fan is a true multi-talent. It sets new standards in terms of airflow and static pressure. Therefore, this fan is not only perfect for radiator mounting but also ensures excellent airflow as a case fan. The Apex Stealth Power can be controlled via the 4-pin PWM connector between 300 and 2000 revolutions per minute. The startup speed is around 300 RPM. Furthermore, the Stealth offers zero-RPM control, allowing the fan to come to a complete stop.

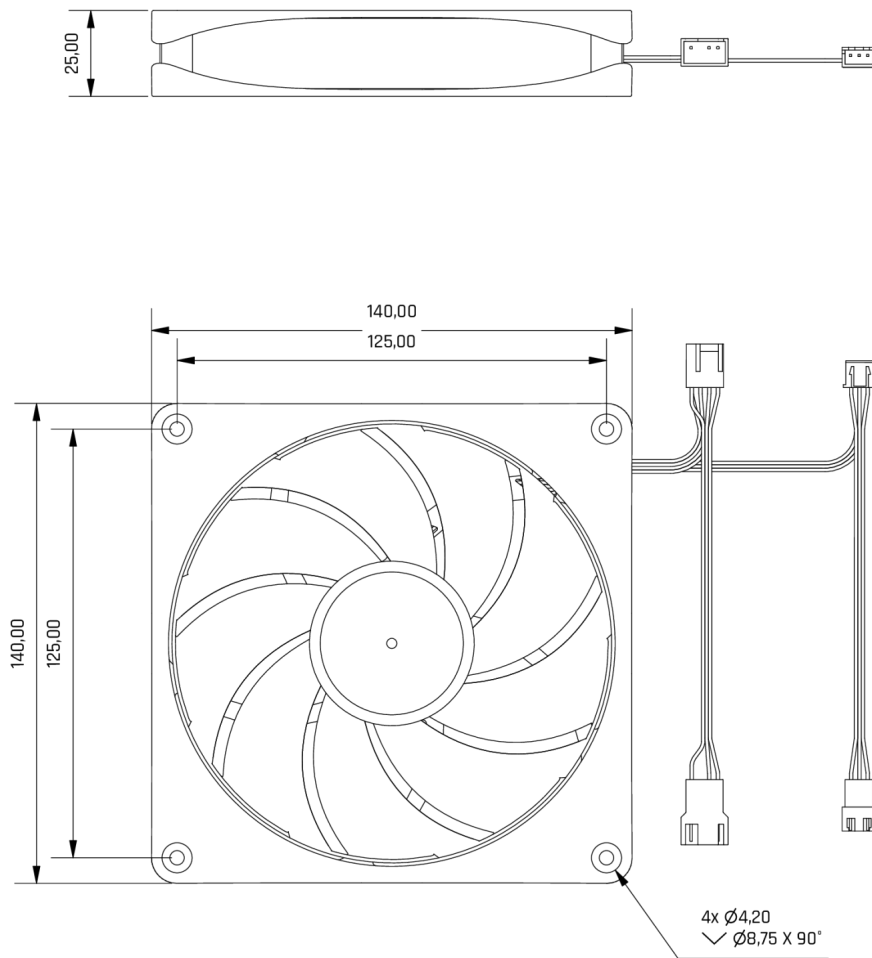
Apex Design

The Apex product line from Alphacool represents ultimate perfection. Premium materials and innovative technologies guarantee a unique high-end product. The combination of the curved frame and brilliant aRGB lighting creates impressive light effects and a distinctive design that fits seamlessly into any PC build.

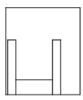
Additional features

As is typical for Alphacool, multiple fans can easily be connected in series using the daisy-chain system. The cables can be hidden in the corners of the fan, keeping them out of sight. A 50 cm PWM extension cable is also included. The 6-pole motor, in combination with the Sleeve Bearing, ensures extremely smooth operation and long lifespan.

Figure

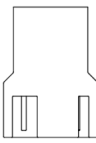


FAN/Pump Connection



VCC 12V DC
Tacho
PWM

FAN/Pump Socket



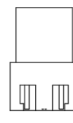
PWM
Tacho
VCC 12V DC
GND

aRGB Connection



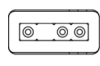
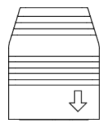
VCC 5V DC
DATA
GND

aRGB Socket



GND
DATA
VCC 5V DC

aRGB Connection



GND
DATA
VCC 5V DC

General tolerance: ± 0,25mm
Dimension in millimeter