

Alphacool Core 1 Aurora Carbon

Alphacool article number: 13769



PLATZHALTER BILD

Quick Info

Alphacool presents the Core 1, a new generation of CPU water cooling. The latest desktop processors are continuously becoming more powerful, but also produce more and more waste heat. The Core 1 reliably solves this problem with the help of its entirely new 3D-Jetplate, which is also used in industrial applications. The all-metal CPU water cooler not only impresses with its elegant appearance, but also features a new mounting system that simplifies installation.

- High performance Desktop CPU Cooler
- Reliable cooling with 3D-Jetplate
- Reworked Mounting-System
- Optimized for latest CPU Generations
- 3-pin 5V aRGB illumination

Compatibility

AMD: AM4 / AM5

Intel: LGA 1700

Scope of delivery

1x Core 1 Aurora CPU Cooler	1x CPU Brackets INTEL Set
1x Thermal Grease	1x Core Backplate
1x Putty tool	4x Threaded bolt INTEL
1x CPU Brackets AMD Set	4x EVA Washer
4x Threaded bolt AMD	1x ARGB Adapter
4x Screw sleeve	

Technical data

Dimensions (L x W x H)	72 x 72 x 26,50mm
Material cooler	nickel plated copper
Material cooler top	Brass, Carbon
Material threads	nickel plated Brass
Threads	2 x G1/4"
Power supply Digital aRGB	3-Pin 5V
Quantity digital aRGB LEDs	18
Fin thickness	0,4mm
Fin distance	0,4mm
Pressure tested	0,8 bar
Max working temperature	60°C
Weight	500g
Color	black, carbon

Download links

Manual	13769_Alphacool_Core_1_Aurora_Carbon_Manual.pdf
Product pictures	13769_Alphacool_Core_1_Aurora_Carbon_pics.zip

Packaging dimensions per unit

L x W x H	255 x 180 x 50 mm
Weight	925 g

Other data

Certificates	CE, FC, RoHS
EAN	4250197137690
Customs code	84195080900
Guarantee	5 years

Alphacool presents the Core 1, a new generation of CPU water cooling. The latest desktop processors are continuously becoming more powerful, but also produce more and more waste heat. The Core 1 reliably solves this problem with the help of its entirely new 3D-Jetplate, which is also used in industrial applications. The all-metal CPU water cooler not only impresses with its elegant appearance, but also features a new mounting system that simplifies installation.

The best of new and old

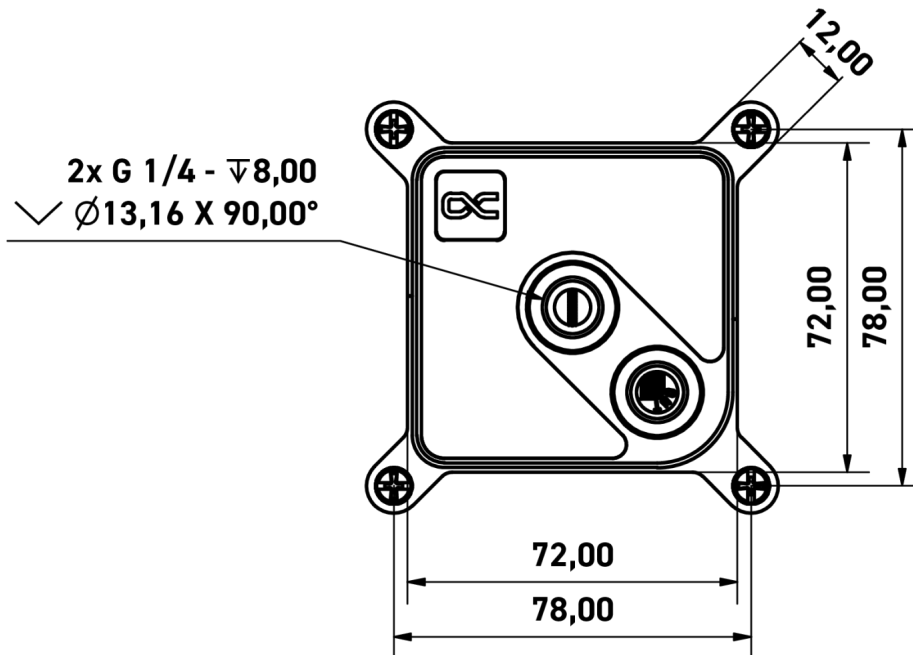
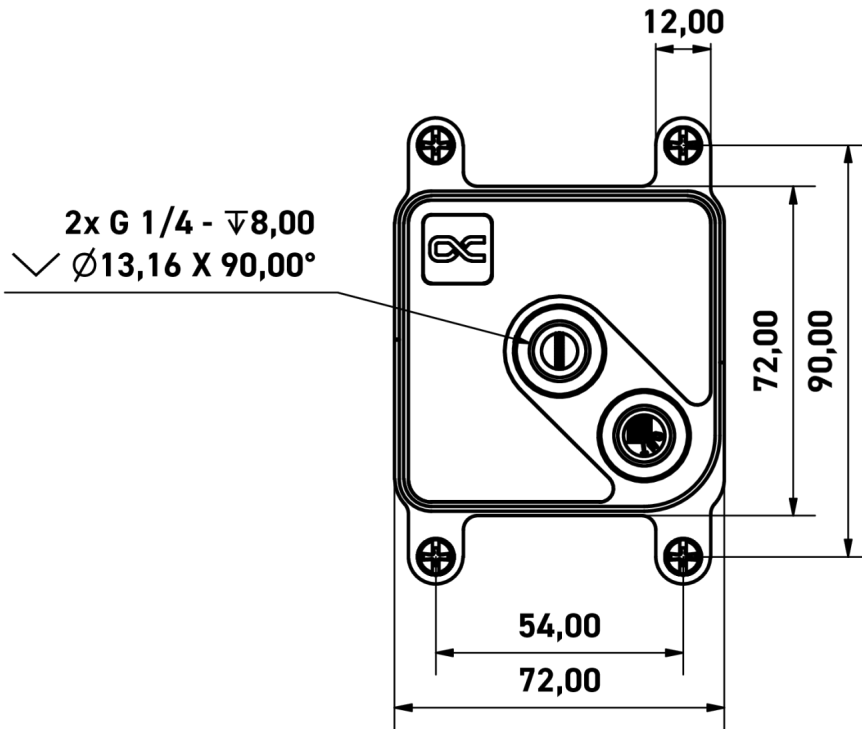
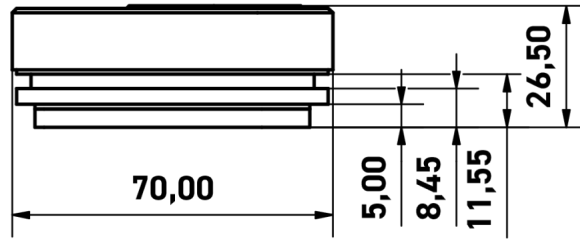
Alphacool brings the best of both worlds together with the Core 1. In addition to the new 3D-Jetplate, Alphacool returns to its roots by using a proven cross-slot technique to distribute coolant evenly across the redesigned cooler base. Inside the cooler, O-rings ensure precise water flow for effective cooling. The Core 1's housing is machined from a high-quality brass block and features nickel-plated connectors. The cooler's copper base, also nickel-plated, has been enlarged to ensure full coverage of large CPUs.

New Mounting System

The mounting system has also been revised. Compared to previous Alphacool models, it requires fewer screws. First, the pre-assembly of the backplate (Intel) is done with four spacers. After that, the thermal paste is applied to the CPU. Then, the matching mounting frame is put on the CPU cooler and fastened with four nuts on the spacers.

Core Design

The functional and elegant design is a key element of Alphacool's Core series. The nickel-plated connectors and the discreet contour line stand out from the high-quality brass housing. The rounded corners add the perfect touch to the overall look. The Core 1 is available in various color designs, as well as in discreetly illuminated aRGB Aurora models.



General tolerance: ± 0,25mm
Dimension in millimeter