

Alphacool Eisblock Aurora 180° Terminal

Alphacool article number: 13763



Quick Info

The Alphacool Aurora 180° terminal allows flexible connection options for all Eisblock GPU coolers. Perfect for extensive modding projects or for systems with limited space. The elegant design is perfected by a magnetic cover.

- Flexible connection options
- Relocates connections to backplate
- Simple installation

Scope of delivery

1x Eisblock Aurora 180° Terminal
3x M4x14mm Screw
4x G1/4 Plug
1x Plug tool
2x O-Ring

Technical data

Dimensions (L x W x H)	8.00 x 31.00 x 61.60mm
Material (water-bearing elements)	Chrome-plated brass, acetal
Material magnetic cover (not water-bearing)	Aluminum
Threads	3x G1/4" In 3x G1/4" Out
Pressure tested	0.8 bar
Max working temperature	60°C
Weight	320g
Color	black, chrome

Download links

Manual	13763_Alphacool_Eisblock_Aurora_180_Terminal_Manual.pdf
Product pictures	13763_Alphacool_Eisblock_Aurora_180_Terminal_pics.zip

Packaging dimensions per unit

L x W x H	105 x 70 x 38 mm
Weight	368 g

Other data

Certificates	CE, FC, RoHS
EAN	4250197137638
Customs code	84199085900
Guarantee	2 years

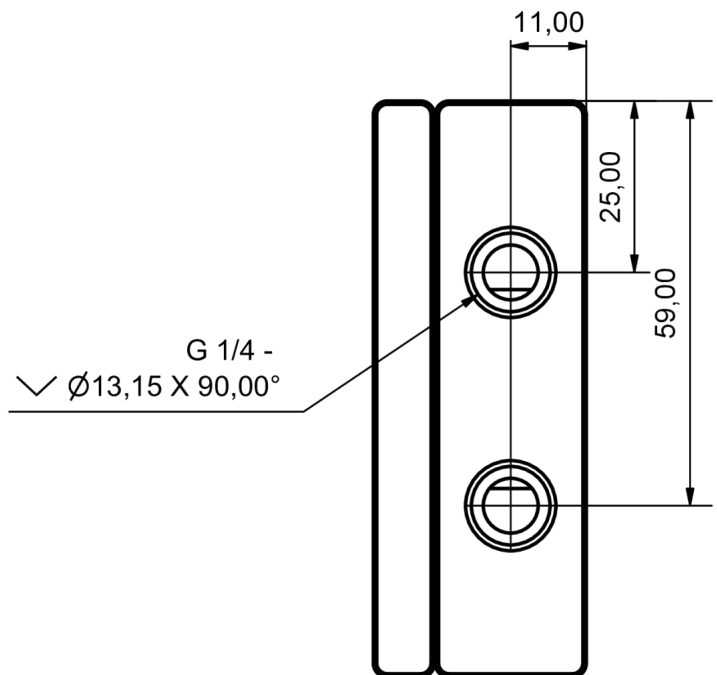
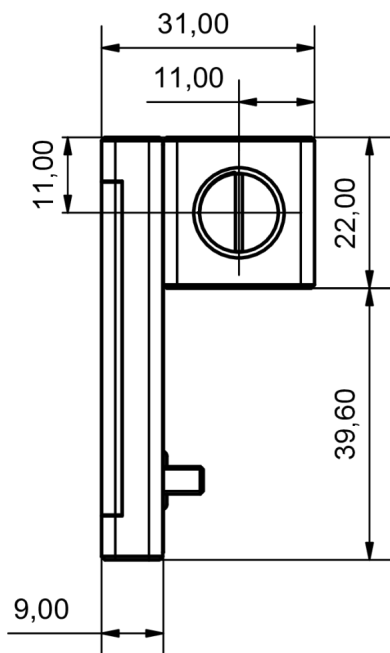
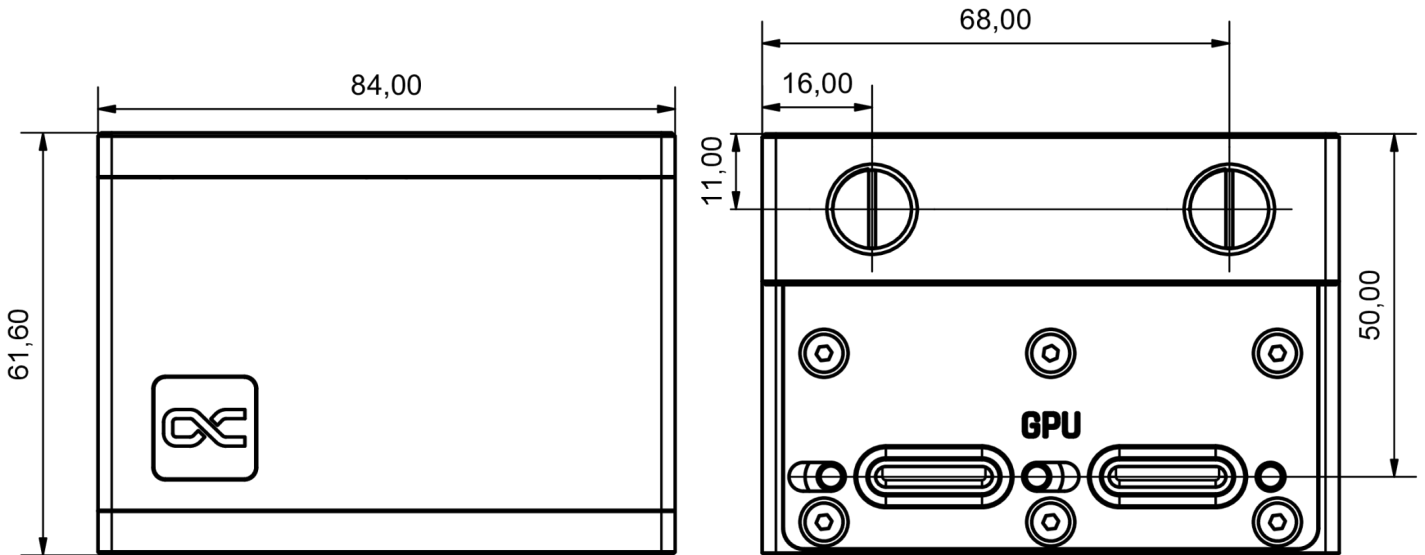
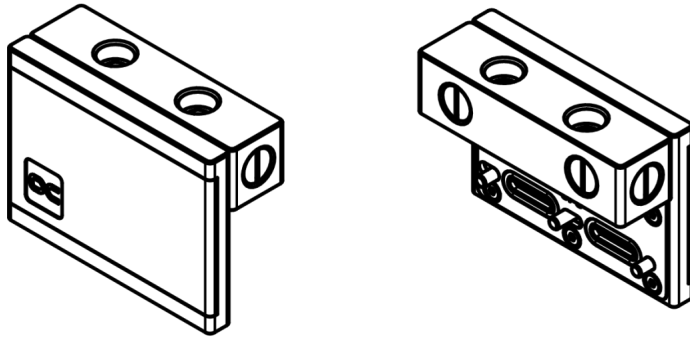
Article text

The Alphacool Aurora 180° terminal allows flexible connection options for all Eisblock GPU coolers. Perfect for extensive modding projects or for systems with limited space. The elegant design is perfected by a magnetic cover.

Flexible connections

The Alphacool Eisblock Aurora 180° terminal replaces the standard terminal of the Eisblock GPU cooler. It positions the connections above the backplate, significantly reducing the depth of the cooling block. With three possible connection options for each input and output - top, side and rear - the terminal offers maximum flexibility.

Note: Please follow the manual for the correct flow direction of the water.



General tolerance: $\pm 0,25$ mm
 Dimension in millimeter