

Alphacool Eisblock XPX Pro 1U Ampere LGA 4926

Alphacool article number: 13529



Quick Info

The Alphacool Eisblock XPX Pro 1U Ampere LGA 4926 is a reliable CPU water cooler that offers outstanding cooling performance.

- Suitable for all U1 racks and cases
- Optimized flow
- Specially designed for Ampere LGA 4926

Compatibility

Ampere: LGA 4926

Scope of delivery

1x CPU Cooler	4x Spring
1x Subzero thermal paste	4x Knurled Nut
2x LGA 4926 bracket	6x Screw plug
4x LGA 4926 Bolt	1x Plug Tool

Technical data

Dimensions (L x W x H)	79,00 x 63,68 x 27,20 mm
Material cooling plate	nickel plated copper
Material cooler top	Nylon
Weight	230g
Max working temperature	60°C
Pressure tested	0,8 Bar
Connections	3 x G1/4" (IN) 5x G1/4" (OUT)
Color	black

Download links

Manual	13529_Alphacool_Eisblock_XPX_Pro_1U_Ampere_LGA_4926_Manual.pdf
Product pictures	13529_Alphacool_Eisblock_XPX_Pro_1U_Ampere_LGA_4926_pics.zip

Packaging dimensions per unit

L x W x H	180 x 135 x 40 mm
Weight	510 g

Other data

Certificates	CE, FC, RoHS
EAN	4250197135290
Customs code	84195080900

Article text

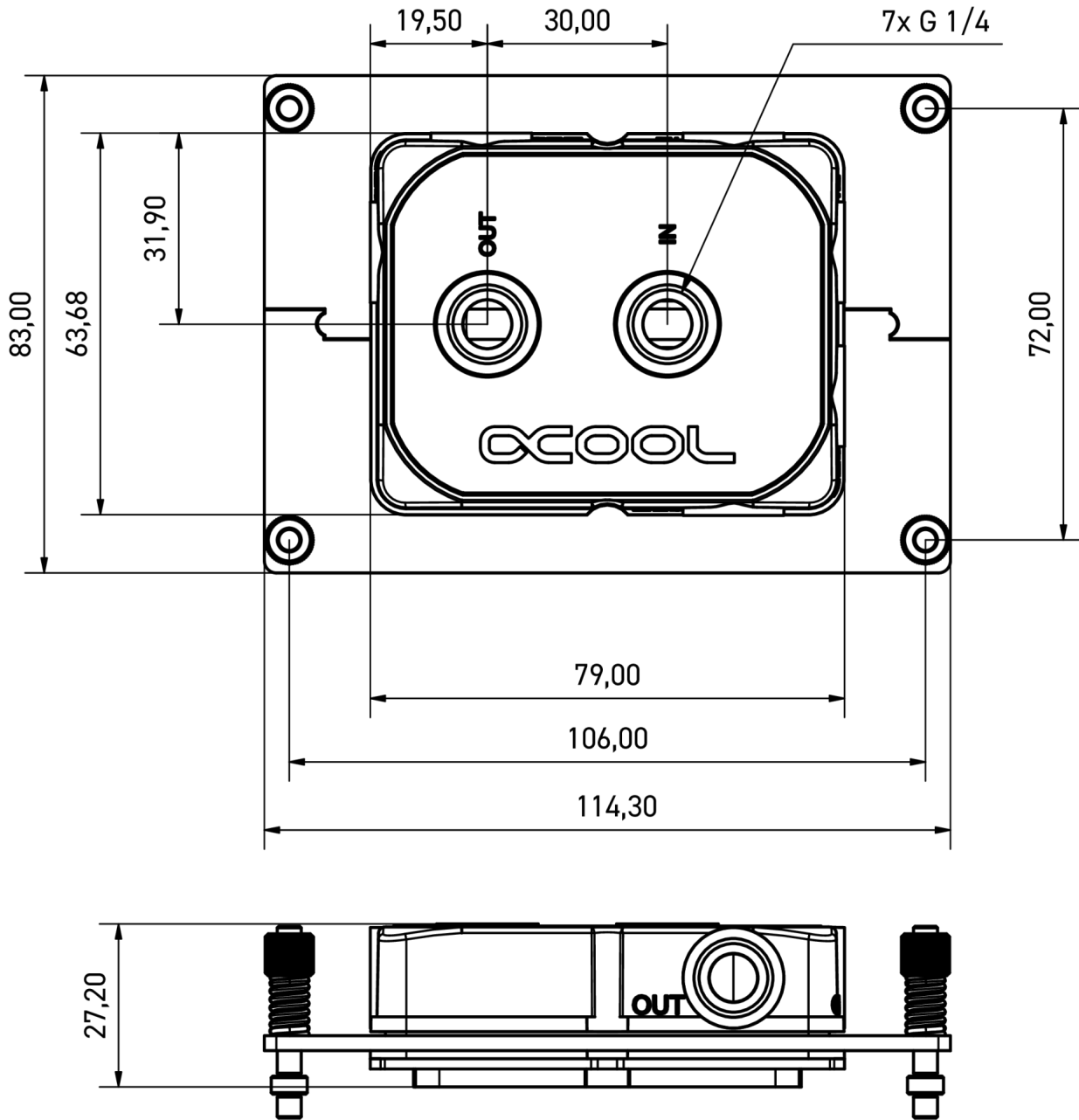
The Alphacool Eisblock XPX Pro 1U Ampere LGA 4926 is a reliable CPU water cooler that offers outstanding cooling performance.

Optimized for Ampere LGA 4926

This Alphacool Eisblock XPX Pro is specifically designed for the Ampere LGA 4926 socket, making it exclusively compatible with this socket variant. The flow rate has been optimized to be able to reliably dissipate the waste heat.

Versatile Connectivity Options

Thanks to its three inlets and five G1/4 outlets, the Eisblock XPX Pro allows for flexible connections in almost any direction. It is designed to be ideal for all 1U cases, providing all the versatility needed in a server or workstation system.



General tolerance: $\pm 0,25\text{mm}$
Dimension in millimeter