

Alphacool ES 1 1U

Alphacool article number: 13528



**PLATZHALTER  
BILD**

## Quick Info

The Alphacool ES 1 was specially designed for the requirements of server cooling and is an adapted version of the Alphacool Core 1. The cooler is particularly space-saving and has been developed for use in server and workstation systems.

- Nickel plated copper cooling block
- Optimized for servers and workstation systems
- Reliable cooling with 3D-Jetplate
- Reworked Mounting-System

## Compatibility

**AMD:** AM4 / AM5

**Intel:** LGA 1700

## Scope of delivery

1 x ES 1 1U CPU cooler	4x Screw sleeve
1x Thermal Grease	1x CPU Brackets INTEL Set
1x Putty tool	1x CPU Backplate INTEL
1x CPU Brackets AMD Set	4x Threaded bolt INTEL
4x Threaded bolt AMD	4x EVA Washer

## Technical data

Dimensions (L x W x H)	70.00 x 70.00 x 26.00mm
Form factor	1U
Material cooler	nickel plated copper
Material cooler top	acetal
Material threads	acetal
Threads	2 x G1/4"
Fin thickness	0.4mm
Fin distance	0.4mm
Pressure tested	0.8 bar
Max working temperature	60°C
Weight	230g
Color	black

## Download links

Manual	<a href="#">13528_Alphacool_ES_1_1U_Manual.pdf</a>
Product pictures	<a href="#">13528_Alphacool_ES_1_1U_pics.zip</a>

## Packaging dimensions per unit

L x W x H	255 x 180 x 50 mm
Weight	925 g

## Other data

Certificates	CE, FC, RoHS
EAN	4250197135283
Customs code	84195080900

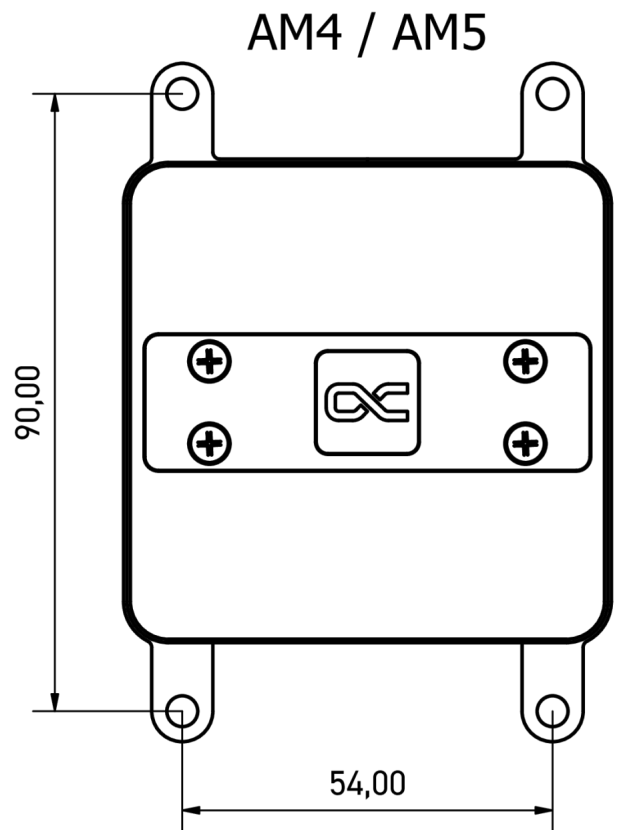
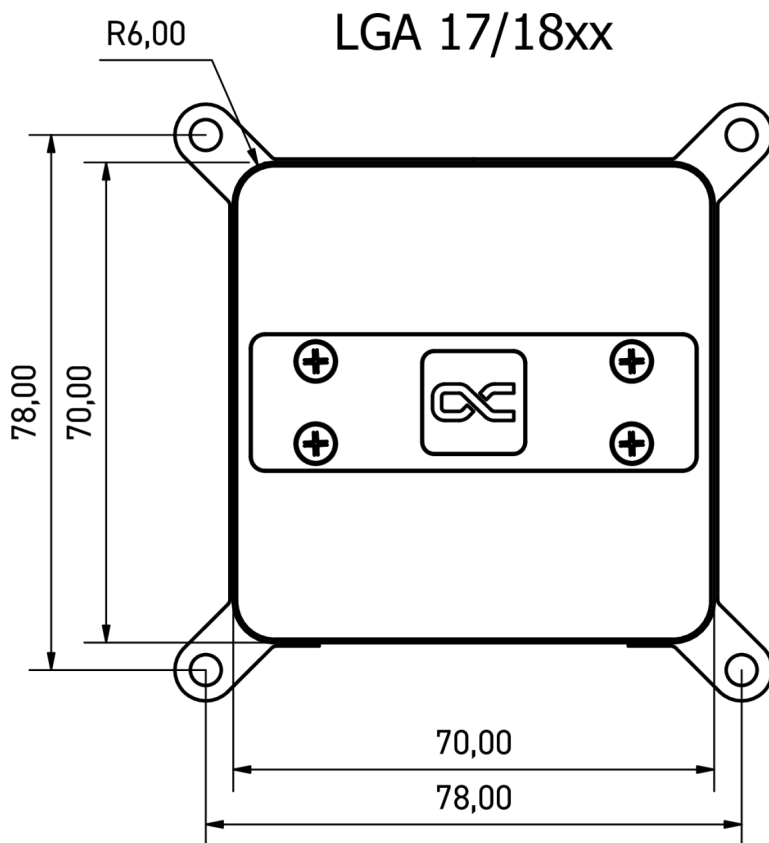
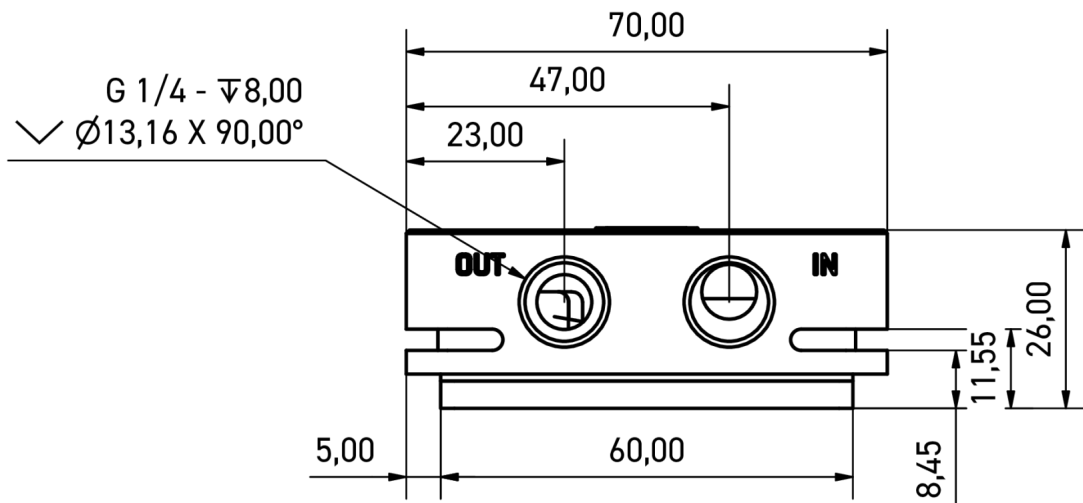
The Alphacool ES 1 was specially designed for the requirements of server cooling and is an adapted version of the Alphacool Core 1. The cooler is particularly space-saving and has been developed for use in server and workstation systems.

### **Optimized for server projects**

Thanks to the side connections and flat design, the ES 1 can be installed in small systems with little space and can also be easily installed in 1 U server cases. The new mounting system and the use of acetal for the housing help to minimize both the assembly effort and the costs for large quantities.

### **Reliable cooling**

Alphacool combines the best of two worlds with the ES 1. The innovative 3D jetplate in combination with the proven cross-slot technology ensures that the coolant is distributed evenly across the base of the radiator. Inside the cooler, an O-ring ensures a precise flow of water and thus guarantees reliable cooling. This tried and tested technology is also used in the Core 1.



General tolerance:  $\pm$  0,25mm  
Dimension in millimeter