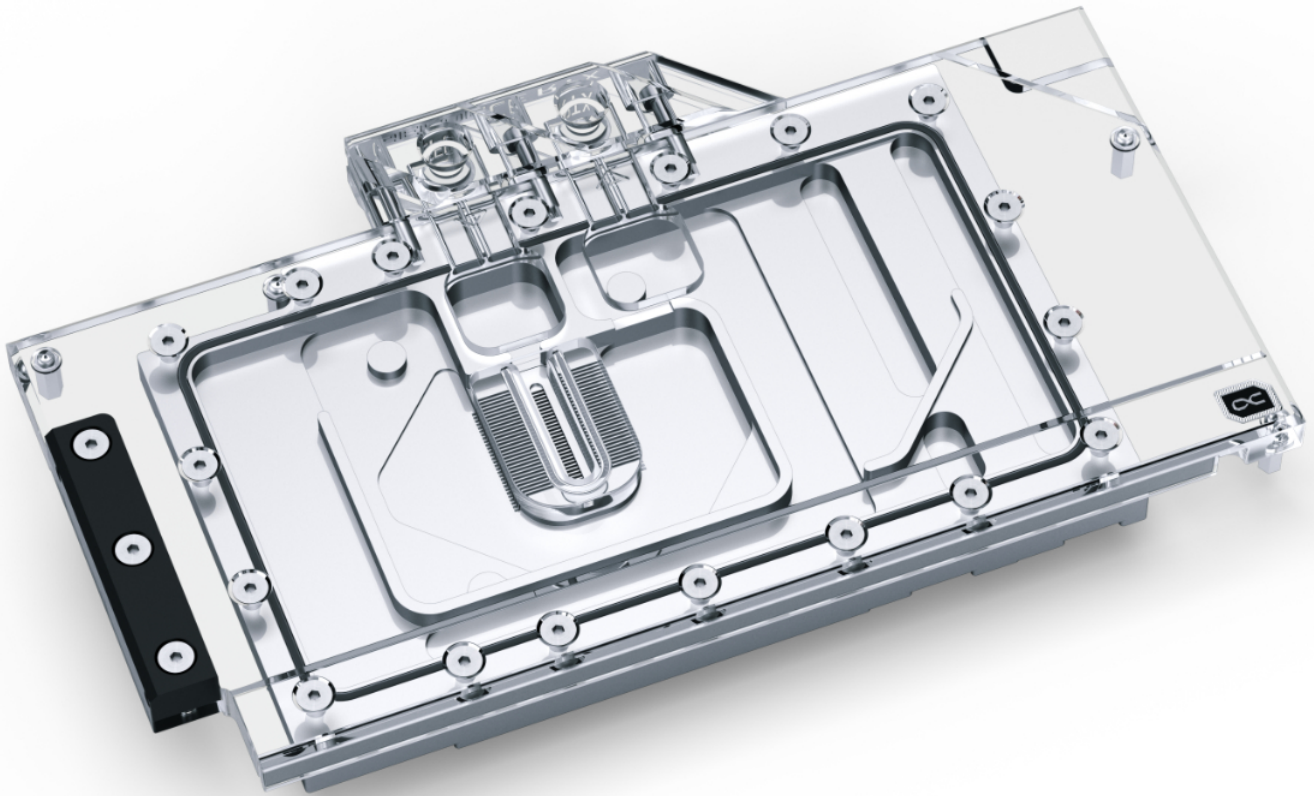


Alphacool Eisblock Aurora Acryl GPX-N Geforce RTX 3090 TI Strix/TUF with Backplate

Alphacool article number: 13088

Download Center



Quick Info

The Alphacool Eisblock Aurora Acrylic GPX graphics card water cooler with backplate combines style with performance. Extreme cooling performance and an extensive digital RGB lighting characterize it. Experience and technical know-how from more than a decade have gone into the development, without making any technical compromises. The Eisblock Aurora Acryl GPX is a significant evolution of the previous Alphacool graphics card water cooler, which has been improved in every area.

- Fullcover water block
- Nickel plated copper cooler
- Adressable digital RGB LEDs

Compatibility

- GeForce RTX™ 3090 Ti ROG Strix LC 24GB (90YV0HC2-M0NA00)
- GeForce RTX™ 3090 Ti ROG Strix LC OC Edition 24GB (90YV0HC0-M0NA00)
- GeForce RTX™ 3090 Ti TUF Gaming 24GB (90YV0HC3-M0NA00)
- GeForce RTX™ 3090 Ti TUF Gaming OC 24GB (90YV0HC1-M0NA00)

Scope of delivery

2x 8x74x1mm thermal pad (7 W/mk)	2x 8x74x3mm thermal pad (3 W/mk)
3x 8x105x1mm thermal pad (7 W/mk)	4x M2x5 screws
2x 15x51x1mm thermal pad (7 W/mk)	4x M2 washers
1x 15x40x1mm thermal pad (7 W/mk)	1x Thermal grease (Alphacool Subzero 16 W/mk)
1x 15x15x1mm thermal pad (7 W/mk)	8x M2x11 screws
1x 30x30x2mm thermal pad (7 W/mk)	1x digital-RGB adapter
2x 15x51x3mm thermal pad (3 W/mk)	1x plug tool
1x 8x40x3mm thermal pad (3 W/mk)	2x screw plugs
1x 15x15x3mm thermal pad (3 W/mk)	1x backplate
1x 8x100x3mm thermal pad (3 W/mk)	

Technical data cooler

L x W x H	267 x 127,74 x 23mm
Material cooler	Nickle-plated copper
Material cooler top	acrylic
Threads	4 x G1/4
Thickness cooling fins	0,6 mm
Illumination	digital aRGB LEDs
Power connector digital aRGB LEDs	3-Pin JST
Power digital aRGB LEDs	5V
Number of digital aRGB LEDs	13

Technical data backplate

L x W x H	267 x 127,74 x 6mm
Material	aluminium
Color	black

Download links

Manual	13088_Alphacool_Eisblock_Aurora_Acryl_GPX-N_Geforce_RTX_3090_TI_Strix-TUF_with_Backplate_Manual.pdf
Product pictures	13088_Alphacool_Eisblock_Aurora_Acryl_GPX-N_Geforce_RTX_3090_TI_Strix-TUF_with_Backplate_pics.zip

Packaging dimensions per unit

L x W x H	350 x 175 x 45 mm
Weight	2013 g

Other data

Certificates	CE, FC, RoHS
EAN	4250197130882
Customs code	84195080900

Article text

The Alphacool Eisblock Aurora Acrylic GPX graphics card water cooler with backplate combines style with performance. Extreme cooling performance and an extensive digital RGB lighting characterize it. Experience and technical know-how from more than a decade have gone into the development, without making any technical compromises. The Eisblock Aurora Acryl GPX is a significant evolution of the previous Alphacool graphics card water cooler, which has been improved in every area.

More performance!

During the development of the Eisblock Aurora Acryl GPX graphics card water cooler, emphasis was naturally placed on increasing performance. First, the cooler was brought closer to the individual components by reducing the thickness of the heat conducting pads. Next, the nickel-plated copper block was also made thinner. Step 3 involves the constant optimisation of the water flow within the cooler. The result: All important components such as voltage converters and RAM are cooled much better and more effectively by the water and the cooling performance increases significantly.

Brilliant design!

The addressable digital aRGB LEDs are embedded directly in the cooling block and run along the sides of the entire cooler. The effect is an illumination that engulfs the entire cooling block. No corner or edge is left unlit by the aRGB LEDs. The new design is more angular, with all edges bevelled. The result is better light diffusion in the water cooler due to the reflections on these bevels. They also create various contours that give the Eisblock Aurora Acryl GPX cooler its very own visual touch.

Copper or aluminium?

Alphacool uses only copper for all water-bearing parts. Copper has almost twice the thermal conductivity of aluminum and is therefore clearly the better choice of material for water cooling. The nickel-plated copper base is highly resistant to acid, which means that chipping of the nickel plating can be ruled out.

Other special features

The Eisblock Aurora Acryl GPX GPU cooler has the patented screw plugs, which sit flush with the surface of the terminal. The Alphacool logo sits in the corner on the top and is also fully illuminated. On the front of the terminal, corresponding designations of the compatible graphics card manufacturers can be seen. Of course, these are also fully illuminated by the addressable digital LEDs. IN and OUT are marked by small discreet triangles. They are easily recognisable and fit perfectly into the overall visual line of the graphics card water cooler.

Drawing

