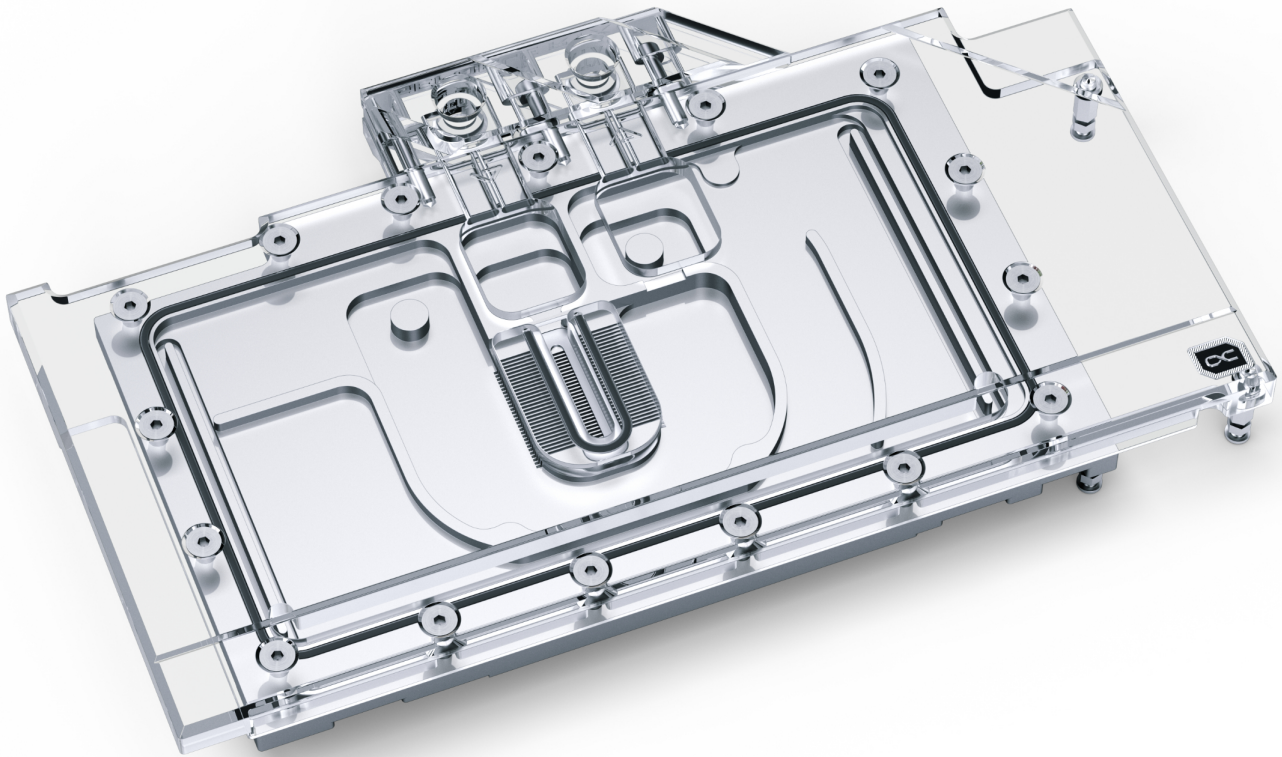


Alphacool Eisblock Aurora Acryl GPX-N RTX 3090 TI Suprim X with Backplate

Alphacool article number: 13085



Quick Info

The Alphacool Eisblock Aurora Acrylic GPX graphics card water cooler with backplate combines style with performance. Extreme cooling performance and an extensive digital RGB lighting characterize it. Experience and technical know-how from more than a decade have gone into the development, without making any technical compromises. The Eisblock Aurora Acryl GPX is a significant evolution of the previous Alphacool graphics card water cooler, which has been improved in every area.

- Fullcover water block
- Nickel plated copper cooler
- Adressable digital RGB LEDs

Compatibility

MSI GeForce RTX 3090 Ti Suprim X 24G, 24GB GDDR6X, HDMI, 3x DP

MSI GeForce RTX 3090 Ti Gaming X Trio 24G, 24GB GDDR6X, HDMI, 3x DP

MSI GeForce RTX 3090 Ti Gaming Trio 24G, 24GB GDDR6X, HDMI, 3x DP

MSI GeForce RTX 3090 Ti Suprim 24G, 24GB GDDR6X, HDMI, 3x DP

Scope of delivery

2x 8x100x1mm thermal pad	6x M2x5 screws
2x 15x51x1mm thermal pad	6x M2x5 washers
1x 15x40x1mm thermal pad	9x M2x11 screws
4x 8x8x1mm thermal pad	2x M3x5 screws
1x 15x15x1mm thermal pad	2x M3x5 washers
2x 8x105x2mm thermal pad	2x screw plugs
2x 8x100x3mm thermal pad	1x thermal grease
2x 15x51x3mm thermal pad	1x plug tool
1x 15x40x3mm thermal pad	1x digital - RGB adaptor
1x 15x15x3mm thermal pad	1x backplate

Technical data cooler

L x W x H	266 x 153 x 24 mm
Material cooler	Nickle-plated copper
Material cooler top	acrylic
Threads	4 x G1/4
Thickness cooling fins	0,6 mm
Maximum working temperature	60 °C
Illumination	13x Digital RGB LEDs
Power connector Digital RGB LEDs	3-Pin JST
Power Digital RGB LEDs	5V

Technical data backplate

L x W x H	266 x 128 x 6 mm
Material	aluminium
Color	black

Download links

Manual	13085_Alphacool_Eisblock_Aurora_Acryl_GPX-N_RTX_3090_TI_Suprim_X_with_Backplate_Manual.pdf
Product pictures	13085_Alphacool_Eisblock_Aurora_Acryl_GPX-N_RTX_3090_TI_Suprim_X_with_Backplate_pics.zip

Packaging dimensions per unit

L x W x H	350 x 170 x 45 mm
Weight	1830 g

Other data

Certificates	CE, FC, RoHS
EAN	4250197130851
Customs code	84195080900

Article text

The Alphacool Eisblock Aurora Acrylic GPX graphics card water cooler with backplate combines style with performance. Extreme cooling performance and an extensive digital RGB lighting characterize it. Experience and technical know-how from more than a decade have gone into the development, without making any technical compromises. The Eisblock Aurora Acryl GPX is a significant evolution of the previous Alphacool graphics card water cooler, which has been improved in every area.

More performance!

During the development of the Eisblock Aurora Acryl GPX graphics card water cooler, emphasis was naturally placed on increasing performance. First, the cooler was brought closer to the individual components by reducing the thickness of the heat conducting pads. Next, the nickel-plated copper block was also made thinner. Step 3 involves the constant optimisation of the water flow within the cooler. The result: All important components such as voltage converters and RAM are cooled much better and more effectively by the water and the cooling performance increases significantly.

Brilliant design!

The addressable digital aRGB LEDs are embedded directly in the cooling block and run along the sides of the entire cooler. The effect is an illumination that engulfs the entire cooling block. No corner or edge is left unlit by the aRGB LEDs. The new design is more angular, with all edges bevelled. The result is better light diffusion in the water cooler due to the reflections on these bevels. They also create various contours that give the Eisblock Aurora Acryl GPX cooler its very own visual touch.

Copper or aluminium?

Alphacool only uses copper in its water coolers. In the case of the Eisblock Aurora Acryl GPX, the copper is nickel-plated. Compared to the previous models, however, Alphacool has once again improved the type of nickel plating, which has significantly increased the acid resistance. This should prevent the nickel plating from flaking off. Why does Alphacool use copper instead of aluminium? Copper has almost twice the thermal conductivity of aluminium and is therefore clearly the better material for water cooling.

Other special features

The Eisblock Aurora Acryl GPX GPU cooler has the patented screw plugs, which sit flush with the surface of the terminal. The Alphacool logo sits in the corner on the top and is also fully illuminated. On the front of the terminal, corresponding designations of the compatible graphics card manufacturers can be seen. Of course, these are also fully illuminated by the addressable digital LEDs. IN and OUT are marked by small discreet triangles. They are easily recognisable and fit perfectly into the overall visual line of the graphics card water cooler.

