

Alphacool Core Ocean T38 AIO 120mm

Alphacool article number: 13050



Quick Info

With the Core Ocean AiO, Alphacool presents an all-in-one solution that, thanks to its excellent price-performance ratio, enables entry into performance-oriented CPU water cooling. The choice of components and the design of the Core Ocean enable a long service life with low maintenance for water cooling of all common mainstream sockets from AMD and Intel.

- Compatible with all mainstream sockets from AMD and Intel
- High performance, low maintenance, durable
- Brilliant digital aRGB LED illumination

Compatibility

AMD: AM4 / AM5

Intel: LGA 1150 / LGA 1200 / LGA 1700 / LGA 2066

Scope of delivery

1x Alphacool Core Ocean T38 AIO 120mm	4x LGA 115x, LGA 1200, 1700 Screws
2x LGA 2066, LGA 115x, 1200, 1700 Bracket	4x LGA 2066 Screws
2x AM4 / AM5 Bracket	4x 2mm Washers
1x Backplate	4x 0,5mm Washers
1x Thermal paste	4x UNC6-32x6 Screws
4x Springs	4x UNC6-32x30 Screws
4x AM4 / AM5 Screws	1x 120x120x25mm Fan

Technical data radiator

L x W x H	153 x 120 x 38mm
Material cooling fins, channels & prechamber	3003 Aluminium
Material outer housing & threads	3003 Aluminium
Fins per Inch	19
Fan size	120mm
Fan slots	1 one-sided / 2 double-sided
Color	black

Technical data fans

L x W x H	120 x 120 x 25mm
Bearing Type	hydraulic Bearing
Rated Voltage	DC 12V
Operating Voltage	DC 7-14V
Start-up Voltage	7V
Rated Current	0.23 (Max. 0.4) A
Rated Power	2.76 (Max. 4.8) W
Rated Speed	0 - 2500rpm/min (±10%)
Max. Air Flow	62.8CFM
Max.Static Pressure	2.13mm-H2O
Noise level (rated voltage, mute room, distance 1m)	33.0 (Max. 34.3) dBA
MTBF	50000hrs at 25°C
Speed Control Mode	PWM
Connection & control	4-pin PWM (cable 40cm)
Auto-Restart	yes
Tachometer Output	yes
Color	black

Technical data cooler & pump

L x W x H	70,2 x 70,2 x 46mm
Material cooler bottom	copper
Material pump housing	Synthetic material (ABS+PC)
Fin structure cooler bottom	0,1 x 0,1mm
Material pump bearing & shaft	ceramics
Starting voltage	> DC 6V
Rated power	7.1W
Noise level	35Db
Rated Current	0.59A (±10% MAX)
Speed	2500~3500 (±10% RPM)
Power supply Digital aRGB	3-pin 5V (male & female, cable length 30cm)
Number of aRGB LEDs	12
Power supply pump	4-Pin JST (Kabellänge 30cm)

Technical data tubes

Material	FEP, black with weave cover
Length	350mm

Download links

Manual	13050_Alphacool_Core_Ocean_T38_AIO_120mm_Manual.pdf
Safety data sheet	13050_Alphacool_Core_Ocean_T38_AIO_120mm_SDS.pdf
Product pictures	13050_Alphacool_Core_Ocean_T38_AIO_120mm_pics.zip

Packaging dimensions per unit

L x W x H	245 x 205 x 155 mm
Weight	1500 g

Other data

Certificates	CE, FC, RoHS
EAN	4250197130509
Customs code	84195080900
Guarantee	3 years

With the Core Ocean AiO, Alphacool presents an all-in-one solution that, thanks to its excellent price-performance ratio, enables entry into performance-oriented CPU water cooling. The difference to the Eisbaer CPU AiO is that the Ocean All-in-One is not expandable. Adding further components such as GPU coolers, radiators or expansion tanks is not intended here. But also not necessary! The choice of components and the design of the Core Ocean enable a long service life with low maintenance for water cooling of all common mainstream sockets from AMD and Intel.

Aluminium Radiator

Compared to Alphacool's full copper models, the T38 aluminium radiator has additional cooling channels. This technical design allows a significant increase in cooling capacity without restricting the water flow within the radiator. Due to the low height of 38mm, the radiator with single-sided fan assembly fits into the tightest case and enables high-performance water cooling of the CPU.

Core fan

The fan can be regulated from 0 to 2500 rpm via the 4-pin PWM connection. The cable is 40cm long. This allows the fan to be connected to the mainboard or a special controller without the need for additional adapter cables or extensions. At 2500 rpm, it provides an air flow of 62.8 CFM, together with a high static pressure of 2.13mm/H₂O. This makes the fan perfect for mounting on radiators of a water cooling system.

Cooler & Pump

As with all Alphacool products, the radiator base is made of copper and is equipped with very fine cooling fins distributed over the entire base. A nozzle plate ensures an accelerated flow over the cooling fins, which increases the cooling performance. The water flow is optimised so that all areas of the cooler base are cooled evenly. The cooler is compatible with all common mainstream sockets from AMD and Intel. The built-in pump has a speed range of 2500 - 3500 RPM (+/- 10%) and can be controlled via PWM. The pump is connected to the mainboard or to an external controller via the existing 4-pin fan connector. This allows the speed range of the pump to be controlled and monitored.

Hoses & Connections

The FEP hoses are 40cm long, sleeved and very flexible. The rotatable 360° connections to the cooler and to the radiator are permanently installed and cannot be replaced. However, the combination of hoses and connectors allows a very variable positioning of the AiO even in the tightest PC case.

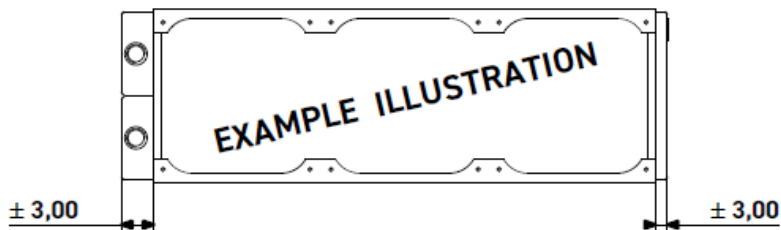
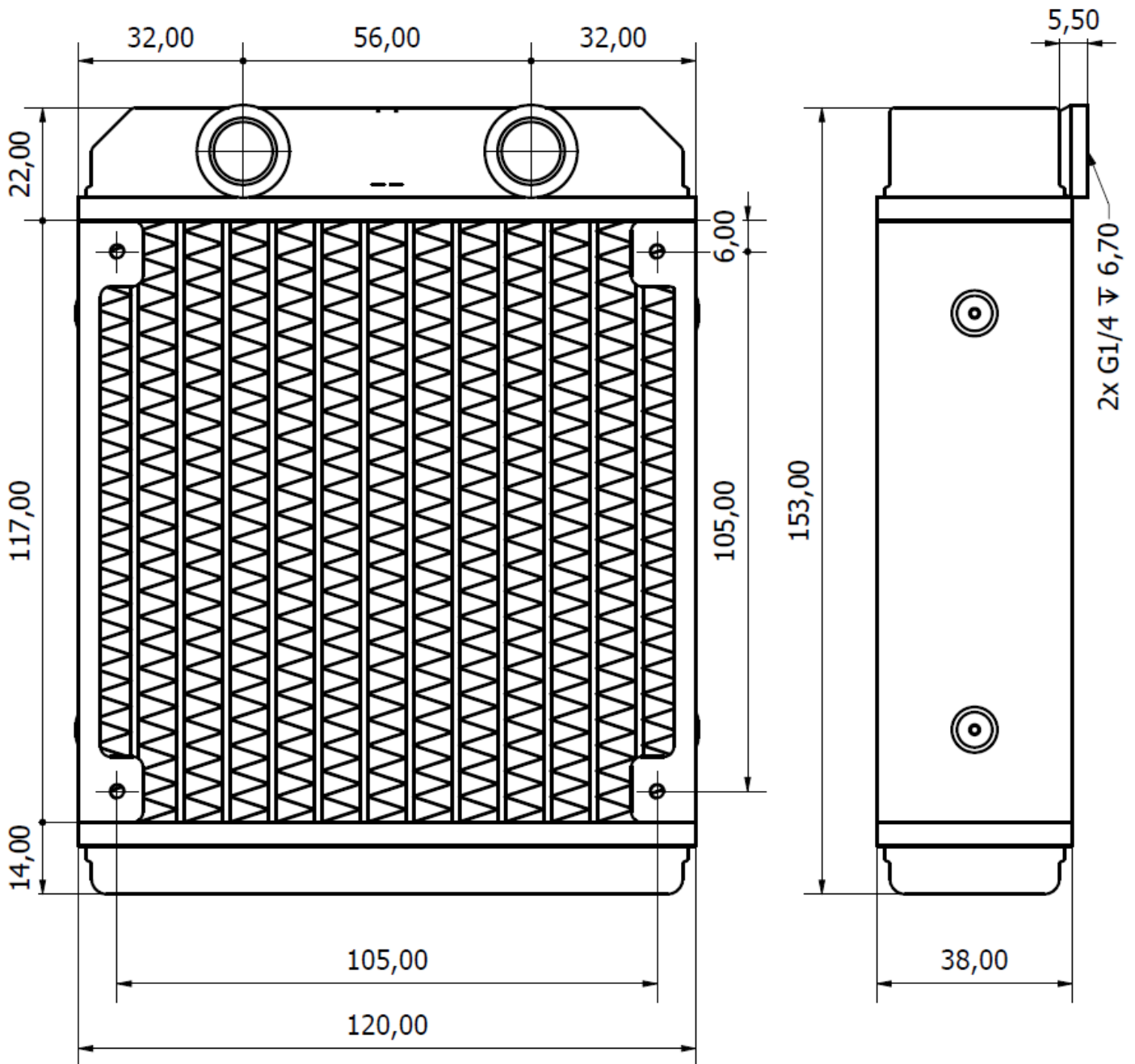
Illumination

12 digitally addressable 5V RGB LEDs are installed in the pump housing, which create a unique, very noble-looking illumination. The digital aRGB LED lighting is connected via a JST 3-pin connector. To control the lighting, the 3-pin female connector must be connected to a digital RGB controller (not included) or a digital RGB-capable mainboard. Additional digital RGB LEDs can be connected to the remaining 3-pin male connector.

Thermal compound

The thermal paste included in the delivery has a thermal conductivity of 7.5 W/mK. The thermal grease does not harden, is particularly suitable for high contact pressures and can be applied perfectly due to the optimally selected viscosity.

Drawing (1)



Tolerance of all the end tanks
 General tolerance: $\pm 0,75$
 Dimension in millimeter

