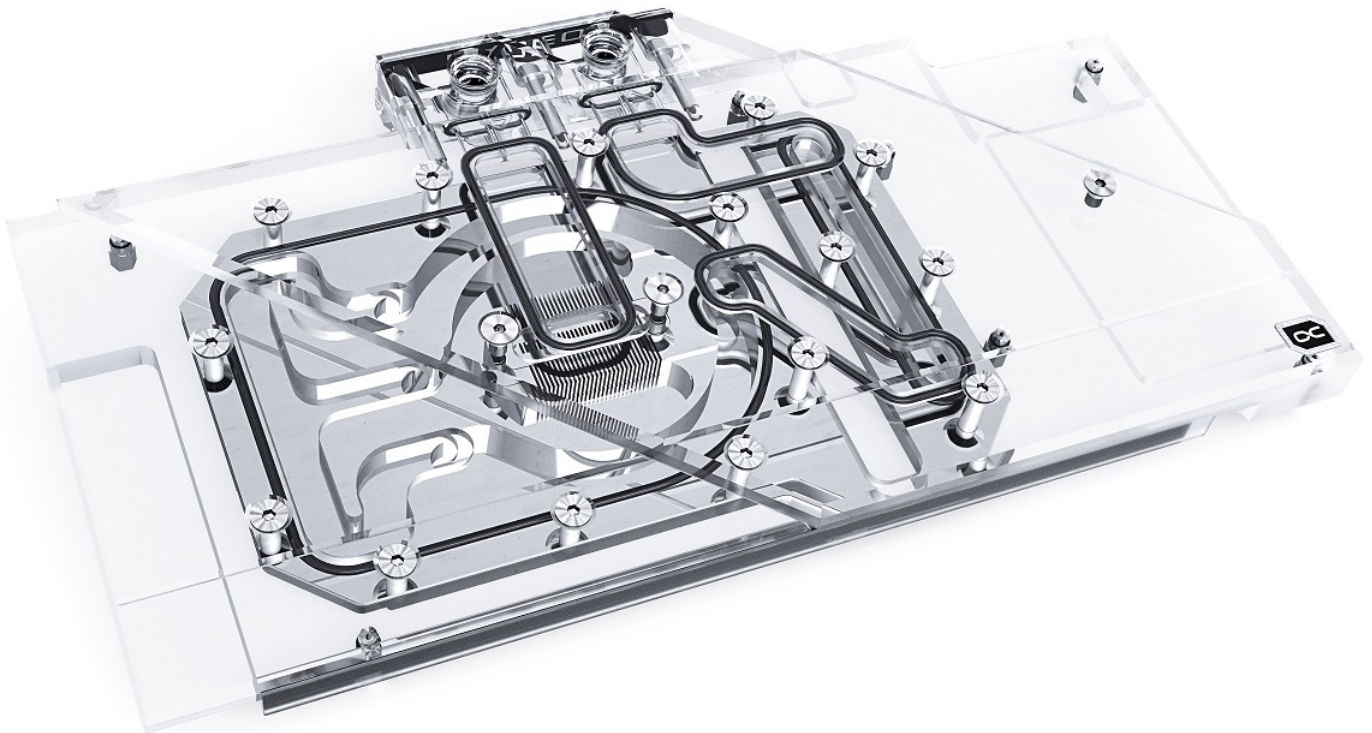


## Alphacool Alphacool Eisblock Aurora Acryl GPX-A Radeon RX 6800/6800XT Strix/TUF with Backplate

Alphacool article number: 11955



### Quick Info

The Alphacool Aurora Acryl RADEON RX 6800/6900(XT) Eisblock combines style with performance and extensive digital RGB lighting. With experience of over 16 years, Alphacool the ability to create GPU blocks that represent high quality and fantastic performance. This perfectly describes the Aurora Acryl GPX Eisblock

- Fullcover water block
- Nickel plated copper cooler
- Adressable Digital RGB LEDs

### Compatibility

- Asus ROG Strix Radeon RX 6800 OC, ROG-STRIX-RX6800-016G-GAMING, 16GB GDDR6 (90YV0FL1-M0NM00)
- Asus TUF Gaming Radeon RX 6800 OC, TUF-RX6800-016G-GAMING, 16GB GDDR6 (90YV0FM1-M0NA00)
- Asus ROG Strix Radeon RX 6800 XT OC, ROG-STRIX-RX6800XT-016G-GAMING, 16GB GDDR6
- Asus TUF Gaming Radeon RX 6800 XT OC, TUF-RX6800XT-016G-GAMING, 16GB GDDR6 (90YV0FL1-M0NM00)
- Asus TUF Gaming Radeon RX 6900 XT OC, TUF-RX6900XT-016G-GAMING, 16GB GDDR6 (90YV0GE0-M0NM00)

## Scope of delivery

1x 8x66x1mm thermal pad	6 x M2x5 screws
3x 15x51x1mm thermal pad	6 x M2x5 washers
1x 8x100x1mm thermal pad	6 x M2x11 screws
1x 30x30x3mm thermal pad	2 x Screw plugs
3x 15x51x3mm thermal pad	1 x Plug tool
1x 8x66x2mm thermal pad	1 x Thermal grease
1x 8x100x2mm thermal pad	1 x Digital-RGB adaptor

## Data cooler

Dimension (L x W x H)	152 x 277 x 23 mm
Material cooler	Nickle-plated copper
Material cooler top	Acryl
Threads	4 x G1/4"
Thickness cooling fins	0,6 mm
Illumination	Digital RGB LEDs
Power connector Digital RGB LEDs	3-Pin JST
Power Digital RGB LEDs	5V
Color	transparent

## Technical data backplate

Abmessungen (L x W x H)	127,5 x 277 x 6 mm
Material	Aluminium
Color	Black

## Download links

Manual	<a href="#">11955_Alphacool_Alphacool_Eisblock_Aurora_Acryl_GPX-A_Radeon_RX_6800-6800XT_Strix-TUF_with_Backplate_Manual.pdf</a>
Product pictures	<a href="#">11955_Alphacool_Alphacool_Eisblock_Aurora_Acryl_GPX-A_Radeon_RX_6800-6800XT_Strix-TUF_with_Backplate_pics.zip</a>

## Packaging dimensions per unit

L x W x H	172 x 352 x 43 mm
Weight	1665 g

## Other data

Certificates	CE, FC, RoHS
EAN	4250197119559
Customs code	84195080900

The Alphacool Aurora Acryl RADEON RX 6800/6900(XT) Eisblock combines style with performance and extensive digital RGB lighting. With experience of over 16 years, Alphacool the ability to create GPU blocks that represent high quality and fantastic performance. This perfectly describes the Aurora Acryl GPX Eisblock

### **More Performance!**

During the development of the Eisblock Aurora RADEON RX 6800/6900(XT) graphic card GPU block, we wanted to further increase the performance. The first step was to move the cooler closer to the individual components by reducing the thermal pads to a thickness of 1 mm. Next, we reduced the thickness of the nickel-plated copper block. Instead of 7 mm, it is now only 5.5 mm thick. The water flow inside the cooler has also been optimized. All important components such as the voltage transformers and the memory are now significantly better and more effectively cooled by the water. All this ensures a significant increase in cooling performance.

### **New Design!**

The Eisblock Aurora RADEON RX 6800/6900(XT) cooler has been designed so that lighting is more important than the previous models. The addressable digital RGB LEDs are embedded directly into the cooling block and run along the entire cooling block. The effect is an illumination of the entire cooling block. No corner or edge remains unlit by the aRGB LEDs. The new design is more angular with all edges bevelled. This promotes better light diffusion in the water cooler due to the reflections on these bevels. In addition, they create various contours, which give the Aurora RADEON RX 6800/6900(XT) Eisblock cooler its very own unique identity.

### **Copper or Aluminium?**

Of course, Alphacool only uses copper for its water coolers. With the Aurora RADEON RX 6800/6900(XT) Eisblock, the copper is nickel-plated. Compared to its predecessor models, Alphacool has improved the nickel plating even further, which has considerably increased the acid resistance. This means that the nickel should resist flaking. Why does Alphacool rely on copper instead of aluminium? Simply, copper has almost twice the thermal conductivity of aluminium and is therefore clearly the better material for water cooling.

### **Is There Anything Else New?**

The Eisblock Aurora RADEON RX 6800/6900(XT) also relies on the new patented stop fittings, which sit flush with the surface of the terminal. The Alphacool logo now sits in the corner on the top and is also fully illuminated. On the front of the terminal you can see the corresponding names of the compatible graphic card types. Of course, these are also fully illuminated by the digital LEDs. IN and OUT are now marked by small triangles. They are easily recognizable and fit perfectly into the entire aesthetics of the graphic card water cooler.

The Alphacool Aurora RADEON RX 6800/6900(XT) Acryl is a complete redevelopment of the previous Alphacool graphics card water coolers. No technical compromises were made, but the entire technical know-how flowed into the development and implementation.