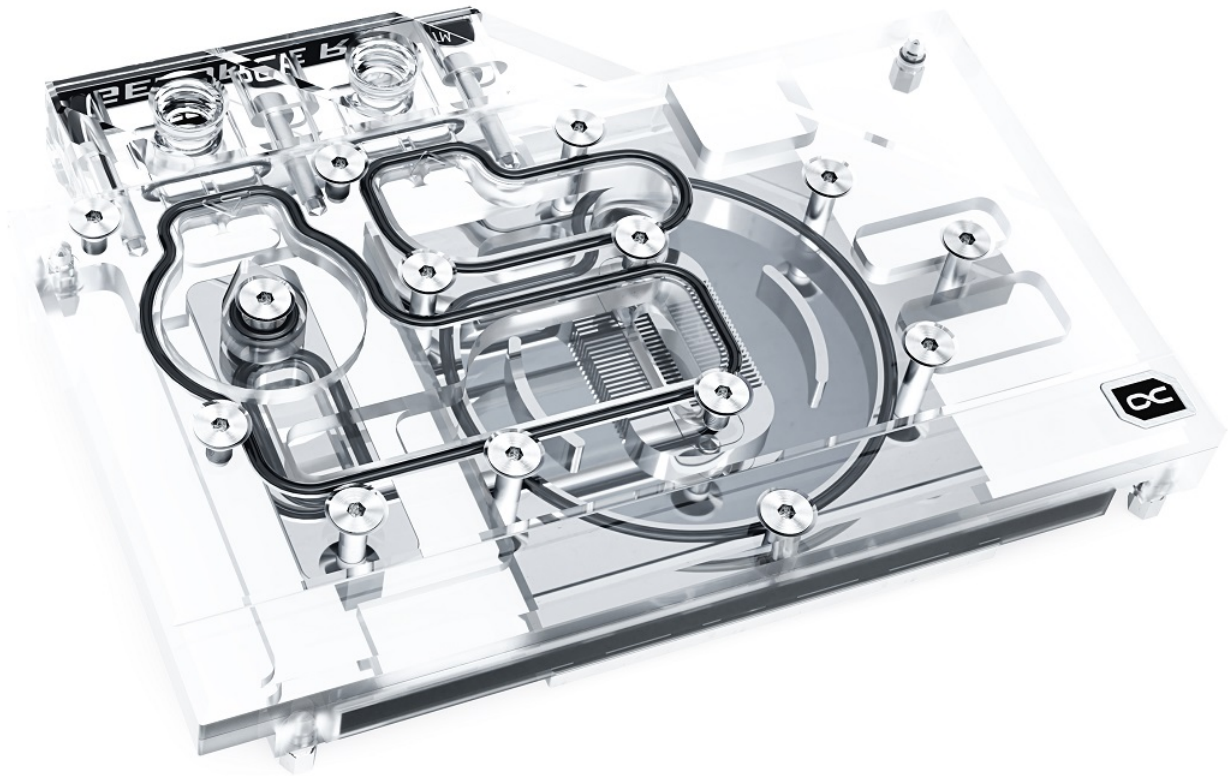


## Alphacool Eisblock Aurora Acryl GPX-N RTX 3070 Founders Edition with Backplate

Alphacool article number: 11946

Download Center



### Quick Info

The Alphacool Aurora Acryl GPX-N RTX 3070 Eisblock combines style with performance and extensive digital RGB lighting. With experience of over 17 years, Alphacool the ability to create GPU blocks that represent high quality and fantastic performance. This perfectly describes the Aurora Acryl GPX Eisblock.

- Fullcover water block
- Chrome plated copper cooler
- Adressable Digital RGB LEDs

### Compatibility

- NVIDIA GeForce RTX 3060 Ti Founders Edition, 8GB GDDR6, HDMI, 3x DP (900-1G142-2520-000)
- NVIDIA GeForce RTX 3070 Founders Edition, 8GB GDDR6, HDMI, 3x DP (900-1G142-2510-000)
- NVIDIA GeForce RTX 3070 Ti Founders Edition, 8GB GDDR6X, HDMI, 3x DP (900-1G143-2515-000)

## Scope of delivery

1x 8x66x1mm thermal pad	4x M2x5 screws
4x 8x8x1mm thermal pad	4x M2x5 washers
1x 15x28x1mm thermal pad	4x M2x11 screws
2x 15x40x1mm thermal pad	2x Screw plugs
1x 30x30x2mm thermal pad	1x Plug tool
1x 8x74x3mm thermal pad	1x Thermal grease
1x 15x28x3mm thermal pad	1x Digital - RGB adaptor
2x 15x40x3mm thermal pad	

## Technical data cooler

Dimensions (L x W x H)	122,5 x 169,5 x 24,5mm
Material cooler	Chrome-plated copper
Material cooler top	Acrylic
Threads	4x G1/4"
Thickness cooling fins	0,6mm
Illumination	Digital RGB LEDs
Power connector Digital RGB LEDs	3-Pin JST
Power Digital RGB LEDs	5V
Maximum working temperature	60°C

## Technical data backplate

Dimensions (L x W x H)	98 x 169,5 x 6mm
Material	Aluminum
Color	Black

## Download links

Manual	<a href="#">11946_Alphacool_Eisblock_Aurora_Acryl_GPX-N_RTX_3070_Founders_Edition_with_Backplate_Manual.pdf</a>
Product pictures	<a href="#">11946_Alphacool_Eisblock_Aurora_Acryl_GPX-N_RTX_3070_Founders_Edition_with_Backplate_pics.zip</a>

## Packaging dimensions per unit

L x W x H	350 x 170 x 50 mm
Weight	1010 g

## Other data

Certificates	CE, FC, RoHS
EAN	4250197119467
Customs code	84195080900

The Alphacool Aurora Acryl GPX-N RTX 3070 Eisblock combines style with performance and extensive digital RGB lighting. With experience of over 17 years, Alphacool the ability to create GPU blocks that represent high quality and fantastic performance. This perfectly describes the Aurora Acryl GPX Eisblock.

### **More Performance!**

During the development of the Eisblock Aurora GPX-N RTX 3070 graphic card GPU block, we wanted to further increase the performance. The first step was to move the cooler closer to the individual components by reducing the thermal pads to a thickness of 1 mm. Next, we reduced the thickness of the chrome-plated copper block. Instead of 7 mm, it is now only 5.5 mm thick. The water flow inside the cooler has also been optimized. All important components such as the voltage transformers and the memory are now significantly better and more effectively cooled by the water. All this ensures a significant increase in cooling performance.

### **New Design!**

The Eisblock Aurora GPX-N RTX 3070 cooler has been designed so that lighting is more important than the previous models. The addressable digital RGB LEDs are embedded directly into the cooling block and run along the entire cooling block. The effect is an illumination of the entire cooling block. No corner or edge remains unlit by the aRGB LEDs. The new design is more angular with all edges bevelled. This promotes better light diffusion in the water cooler due to the reflections on these bevels. In addition, they create various contours, which give the Aurora GPX-N RTX 3070 Eisblock cooler its very own unique identity.

### **Copper or Aluminium?**

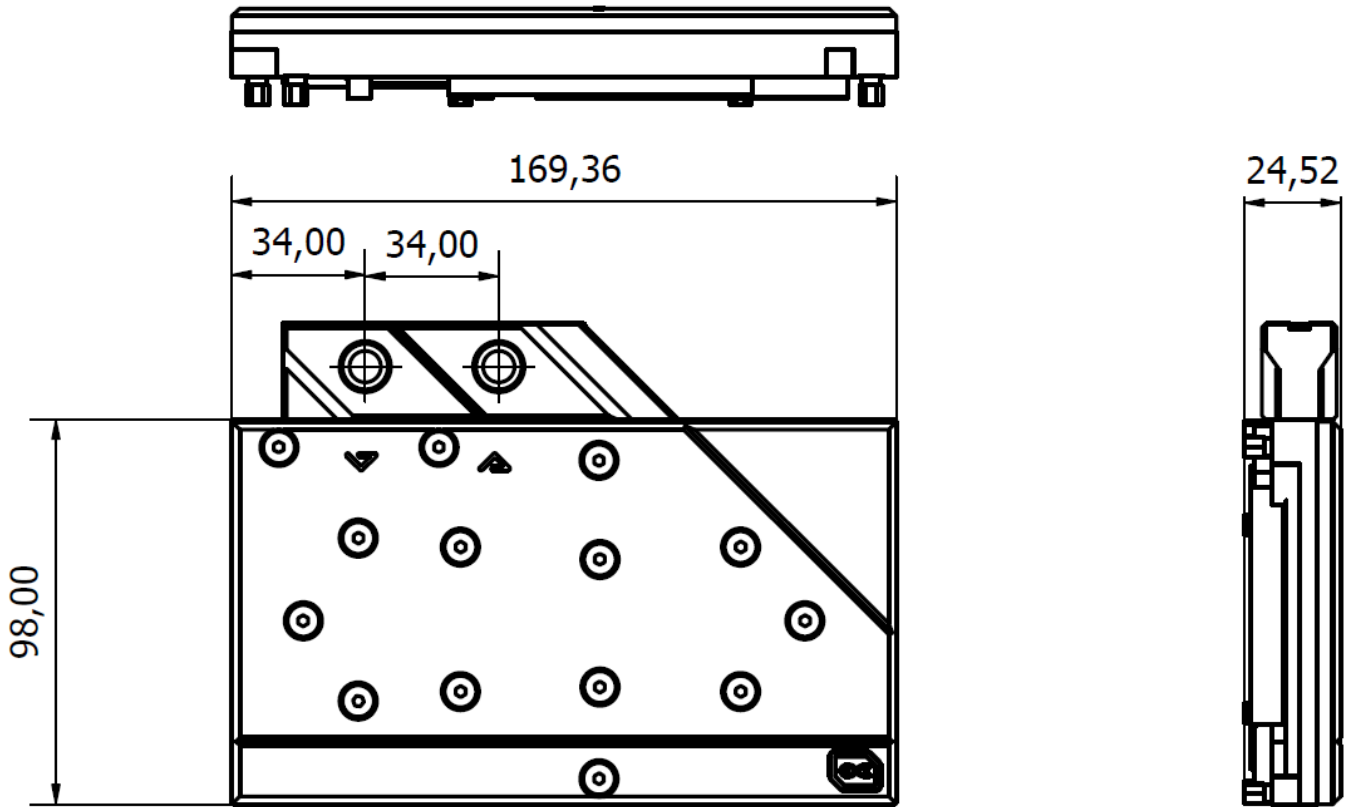
Of course, Alphacool only uses copper for its water coolers. With the Aurora GPX-N RTX 3070 Eisblock, the copper is chrome-plated. Compared to its predecessor models, Alphacool has improved the chrome plating even further, which has considerably increased the acid resistance. This means that the chrome should resist flaking. Why does Alphacool rely on copper instead of aluminium? Simply, copper has almost twice the thermal conductivity of aluminium and is therefore clearly the better material for water cooling.

### **Is There Anything Else New?**

The Eisblock Aurora GPX-N RTX 3070 also relies on the new patented stop fittings, which sit flush with the surface of the terminal. The Alphacool logo now sits in the corner on the top and is also fully illuminated. On the front of the terminal you can see the corresponding names of the compatible graphic card types. Of course, these are also fully illuminated by the digital LEDs. IN and OUT are now marked by small triangles. They are easily recognizable and fit perfectly into the entire aesthetics of the graphic card water cooler.

The Alphacool Aurora GPX-N RTX 3070 Acryl is a complete redevelopment of the previous Alphacool graphics card water coolers. No technical compromises were made, but the entire technical know-how flowed into the development and implementation.

Cooler



Backplate

