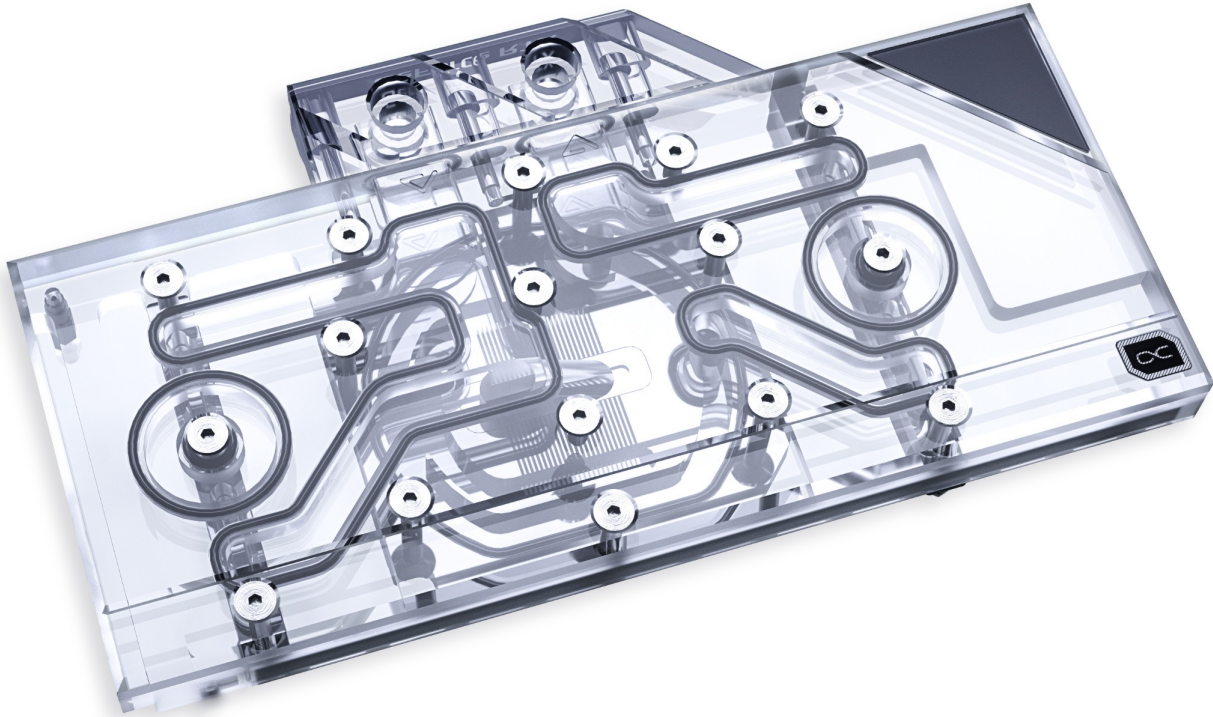


Alphacool Eisblock Aurora Acryl GPX-N RTX 3090/3080 with Backplate (Reference)

Alphacool article number: 11930



Quick Info

The Alphacool Aurora Plexi GPX-N RTX 3080/3090 Eisblock combines style with performance and extensive digital RGB lighting. With experience of over 17 years, Alphacool the ability to create GPU blocks that represent high quality and fantastic performance. This perfectly describes the Aurora Plexi GPX Eisblock

- Fullcover water block
- Chrome-plated copper cooler
- Adressable digital RGB LEDs

Compatibility

GPU were approved with photos. Due the limited visuality we can not say for sure if the water block will fit. Please check your PCB Layout before you order the water block

- Gainward RTX 3080 Phoenix (1952)
- Gainward RTX 3080 Phoenix GS (2010)
- Galakuro NVIDIA GEFORCE RTX 3080 GG-RTX3080-E10GB/TP
- Galax GeForce RTX 3080 SG 10GB GDDR6X (38NWM3MD99NN)
- Inno3D GEFORCE RTX 3080 12GB ICHILL BLACK LHR
- Inno3D GEFORCE RTX 3080 12GB ICHILL FROSTBITE LHR
- Inno3D GEFORCE RTX 3080 12GB ICHILL X3 LHR
- Inno3D GEFORCE RTX 3080 12GB ICHILL X4 LHR
- Inno3D GEFORCE RTX 3080 12GB X3 OC LHR
- Inno3D GeForce RTX 3080 iChill X3 (C30803-106XX-1810VA37)
- Inno3D GeForce RTX 3080 iChill X4, 10 GB GDDR6X (C30804-106XX-1810VA36)
- Inno3D GeForce RTX 3080 Twin X2 OC, 10 GB GDDR6X (N30802-106XX-1810VA34)
- KFA² GeForce RTX 3080 SG 10GB GDDR6X (38NWM3MD99NK)
- Palit GeForce RTX™ 3080 GamingPro (NED30800191A-132AA)
- Palit GeForce RTX™ 3080 GamingPro OC (NED3080S191A-132AA)
- PNY GeForce RTX 3080 XLR8 Gaming EPIC-X RGB (VCG308010TFXMPB)
- PNY GeForce RTX 3080 XLR8 Gaming EPIC-X RGB, 10 GB GDDR6X (VCG308010TFXPPB)
- Zotac Gaming GeForce RTX 3080 AMP Extreme Holo, 10GB GDDR6X, HDMI, 3x DP (ZT-A30800B-10P)
- Zotac Gaming GeForce RTX 3080 AMP Holo, 10GB GDDR6X, HDMI, 3x DP (ZT-A30800F-10P)
- Zotac GAMING GeForce RTX 3080 Trinity (ZT-A30800D-10P)
- Zotac Gaming GeForce RTX 3080 Trinity OC, 10GB GDDR6X, HDMI, 3x DP (ZT-A30800J-10P)
- Gainward GeForce RTX 3080 Ti 12GB Phoenix (471056224-2379)
- Inno3D GEFORCE RTX 3080 TI ICHILL FROSTBITE
- Inno3D GEFORCE RTX 3080 TI ICHILL X3
- Inno3D GEFORCE RTX 3080 TI ICHILL X4
- Inno3D GEFORCE RTX 3080 TI X3
- Inno3D GEFORCE RTX 3080 TI X3 OC
- Palit GeForce RTX 3080 Ti GamingPro
- Zotac Gaming GeForce RTX 3080 Ti AMP Holo (ZT-A30810F-10P)
- Zotac Gaming GeForce RTX 3080 Ti Trinity (ZT-A30810D-10P)
- Zotac Gaming GeForce RTX 3080 Ti Trinity OC
- Zotac GeForce RTX 3080 Ti AMP HoloBlack
- Gainward RTX 3090 Phoenix (1976)
- Gainward RTX 3090 Phoenix GS (2034)
- Galakuro NVIDIA GEFORCE RTX 3090 GG-RTX3090-E24GB/TP
- Galax GeForce RTX 3090 SG 24GB GDDR6X 320-bit DP*3/HDMI/ (39NSM5MD1GNA)
- Inno3D GeForce RTX 3090 Gaming X3, 24 GB GDDR6X (N30903-246X-1880VA37N)
- Inno3D GeForce RTX 3090 iChill X3, 24 GB GDDR6X (C30903-246XX-1880VA37)
- Inno3D GeForce RTX 3090 iChill X4, 24 GB GDDR6X (C30904-246XX-1880VA36)
- KFA² GeForce RTX 3090 SG 24GB GDDR6X 320-bit DP*3/HDMI/
- Palit GeForce RTX™ 3090 GamingPro (NED3090019SB-132BA)

- Palit GeForce RTX™ 3090 GamingPro OC (NED3090S19SB-132BA)
- PNY GeForce RTX 3090 OC XLR8 Gaming Epic-X RGB Triple Fan Edition, 24GB GDDR6X (VCG309024TFXMPB)
- PNY GeForce RTX 3090 XLR8 Gaming EPIC-X RGB, 24 GB GDDR6X (VCG309024TFXPPB)
- Zotac GeForce RTX 3090 Trinity, 24 GB GDDR6X (ZT-A30900D-10P)

Scope of delivery

1x Eisblock Aurora Acryl GPX-N RTX 3090/3080 (Reference)	1x 8x74x3mm thermal pad
1x Backplate	1x 8x84x3mm thermal pad
2x 15x51x1mm thermal pad	2x 15x51x3mm thermal pad
1x 15x38x1mm thermal pad	1x 15x38x3mm thermal pad
1x 15x15x1mm thermal pad	1x 15x15x3mm thermal pad
1x 8x8x1mm thermal pad	4x M2x5 screws
1x 8x74x1mm thermal pad	4x M2x5 washers
1x 8x84x1mm thermal pad	4x M2x11 screws
2x 15x51x2mm thermal pad	2x Screw pugs
1x 15x38x2mm thermal pad	1x digital-RGB adapter
1x 15x15x2mm thermal pad	1x Thermal grease
1x 30x30x2mm thermal pad	1x plug tool

Technical data cooler

L x W x H	224,86 x 121,4 x 25,05 mm
Material cooler	chrome-plated copper
Material cooler top	acrylic
Threads	4 x G1/4
Thickness cooling fins	0,6 mm
Illumination	digital RGB LEDs
Power connector digital RGB LEDs	3-Pin JST
Power digital RGB LEDs	5V
Maximum working temperature	60 °C

Technical data backplate

L x W x H	224,86 x 96,9 x 6 mm
Material	aluminium
Color	black

Download links

Manual	11930_Alphacool_Eisblock_Aurora_Acryl_GPX-N_RTX_3090-3080_with_Backplate_(Reference)_Manual.pdf
Product pictures	11930_Alphacool_Eisblock_Aurora_Acryl_GPX-N_RTX_3090-3080_with_Backplate_(Reference)_pics.zip

Packaging dimensions per unit

L x W x H	352 x 172 x 43 mm
Weight	1150 g

Other data

Certificates	CE, FC, RoHS
EAN	4250197119306
Customs code	84195080900

Article text

The Alphacool Aurora Plexi GPX-N RTX 3080/3090 Eisblock combines style with performance and extensive digital RGB lighting. With experience of over 17 years, Alphacool the ability to create GPU blocks that represent high quality and fantastic performance. This perfectly describes the Aurora Plexi GPX Eisblock

More Performance!

During the development of the Eisblock Aurora GPX-N RTX 3080/3090 graphic card GPU block, we wanted to further increase the performance. The first step was to move the cooler closer to the individual components by reducing the thermal pads to a thickness of 1 mm. Next, we reduced the thickness of the chrome-plated copper block. Instead of 7 mm, it is now only 5.5 mm thick. The water flow inside the cooler has also been optimized. All important components such as the voltage transformers and the memory are now significantly better and more effectively cooled by the water. All this ensures a significant increase in cooling performance.

New Design!

The Eisblock Aurora GPX-N RTX 3080/3090 cooler has been designed so that lighting is more important than the previous models. The addressable digital RGB LEDs are embedded directly into the cooling block and run along the entire cooling block. The effect is an illumination of the entire cooling block. No corner or edge remains unlit by the aRGB LEDs. The new design is more angular with all edges bevelled. This promotes better light diffusion in the water cooler due to the reflections on these bevels. In addition, they create various contours, which give the Aurora GPX-N RTX 3080/3090 Eisblock cooler its very own unique identity.

Copper or Aluminium?

Alphacool uses only copper for all water-bearing parts. Copper has almost twice the thermal conductivity of aluminum and is therefore clearly the better choice of material for water cooling. The cooler is made entirely of chrome-plated copper. A chrome plating is much harder than a nickel plating and therefore less sensitive to acids, scratches and damage. It completely eliminates the risk of chipping nickel plating. Additionally, chrome plating looks much more homogeneous and provides a shine that cannot be achieved by nickel plating.

Is There Anything Else New?

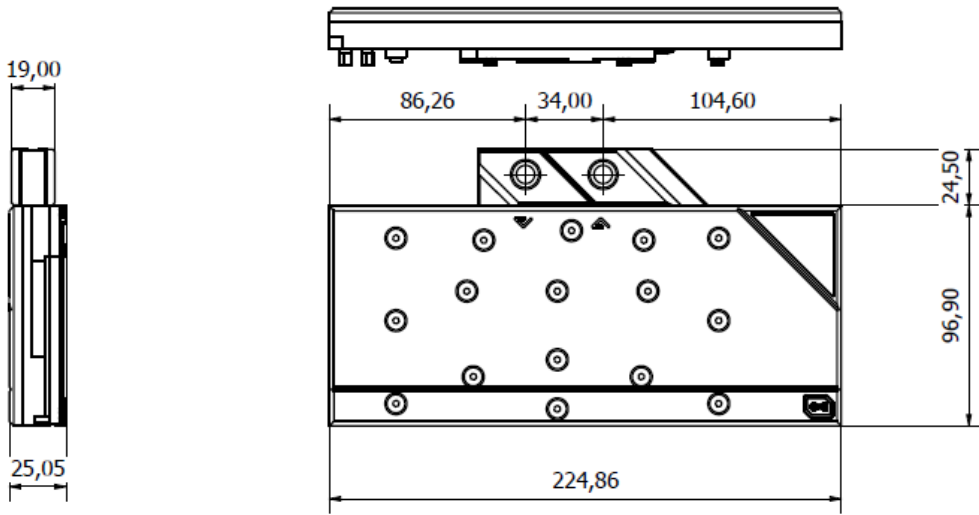
The Eisblock Aurora GPX-N RTX 3080/3090 also relies on the new patented stop fittings, which sit flush with the surface of the terminal. The Alphacool logo now sits in the corner on the top and is also fully illuminated. On the front of the terminal you can see the corresponding names of the compatible graphic card types. Of course, these are also fully illuminated by the digital LEDs. IN and OUT are now marked by small triangles. They are easily recognizable and fit perfectly into the entire aesthetics of the graphic card water cooler.

The Alphacool Aurora GPX-N RTX 3080/3090 Plexi is a complete redevelopment of the previous Alphacool graphics card water coolers. No technical compromises were made, but the entire technical know-how flowed into the development and implementation.

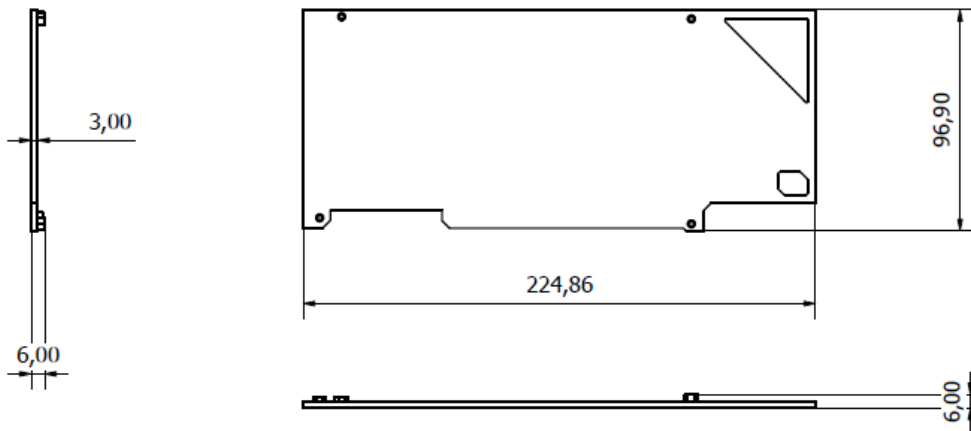
Note:

- The Founders Edition, does NOT correspond to the Reference Design!

Drawing



COOLER



BACKPLATE