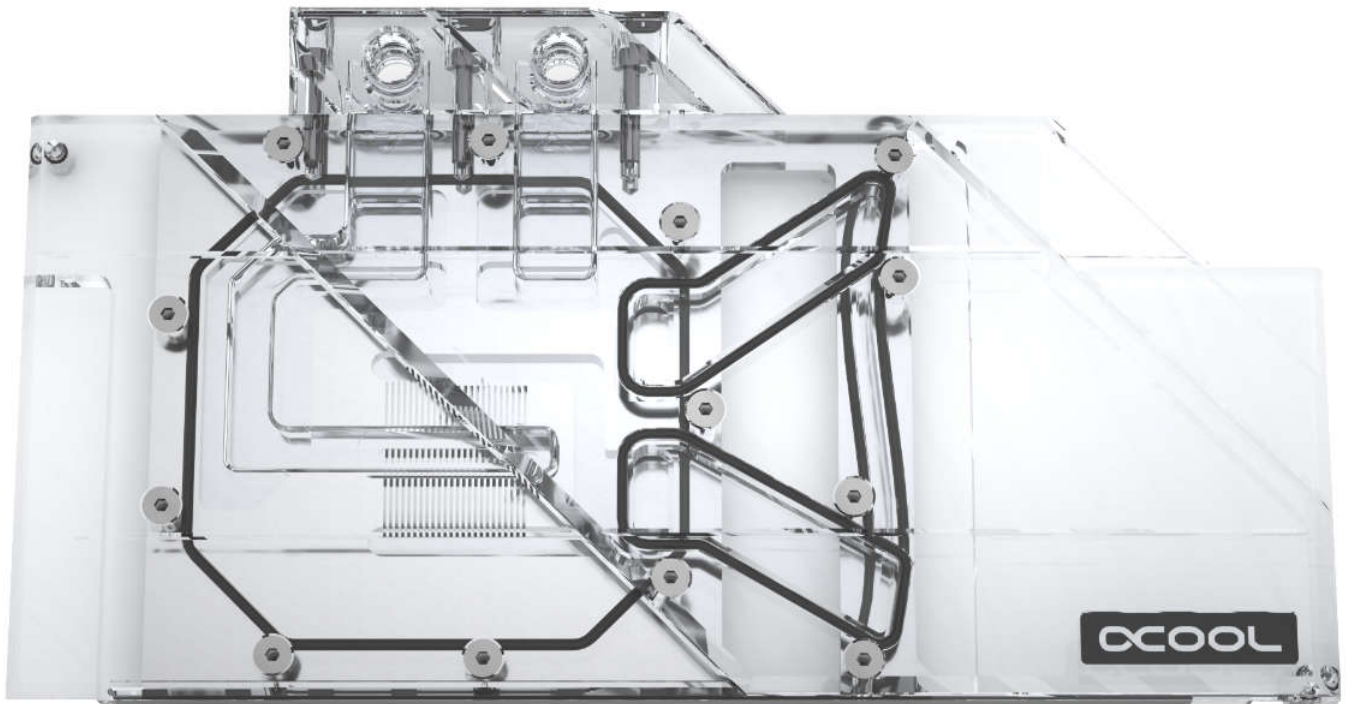
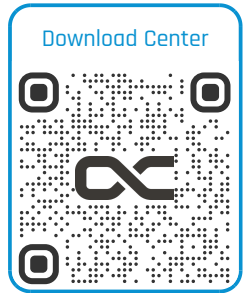


Alphacool Eisblock Aurora Acryl GPX-A Radeon 5700 XT Nitro+

Alphacool article number: 11753



Quick Info

The Alphacool Aurora Acryl GPX Eisblock combines style with performance and extensive digital RGB lighting. With experience of over 16 years, Alphacool the ability to create GPU blocks that represent high quality and fantastic performance. This perfectly describes the Aurora Acryl GPX Eisblock

- Digital RGB lighting
- Nickel-plated copper
- Significant increase in performance compared to previous models
- Patented screw plugs

Compatibility

- Sapphire Nitro+ Radeon RX 5700 XT 8G, 8GB GDDR6 (11293-03-40G)

Scope of delivery

2 x 15 x 48 x 1 mm heat conduction pad	2 x screw plugs
2 x 8 x 76 x 1 mm heat conduction pad	1 x Digital RGB adaptor
3 x 15 x 15 x 1 mm heat conduction pad	1 x heat-conducting paste
16 x M2x5 screws	1 x plug too
1 x M2 nut	

Technical data GPU cooler

Dimension (B x T x H)	120,4 x 266,7 x 25,3 mm
Max working temperature	60 °C
Material cooler	nickel plated copper
Material top	acrylglas
Thickness of fins	0,6 mm
Threads	4 x G1/4"
Power supply Digital RGB	3-Pin 5V
Pressure tested	1,5 Bar
Color	transparent

Download links

Manual	11753_Alphacool_Eisblock_Aurora_Acryl_GPX-A_Radeon_5700_XT_Nitro_Manual.pdf
Product pictures	11753_Alphacool_Eisblock_Aurora_Acryl_GPX-A_Radeon_5700_XT_Nitro_pics.zip

Packaging dimensions per unit

L x W x H	352 x 163 x 42 mm
Weight	1200 g

Other data

Certificates	CE, FC, RoHS
EAN	4250197117531
Customs code	84195080900

The Alphacool Aurora Acryl GPX Eisblock combines style with performance and extensive digital RGB lighting. With experience of over 16 years, Alphacool has the ability to create GPU blocks that represent high quality and fantastic performance. This perfectly describes the Aurora Acryl GPX Eisblock

More Performance!

During the development of the Eisblock Aurora GPX graphic card GPU block, we wanted to further increase the performance. The first step was to move the cooler closer to the individual components by reducing the thermal pads to a thickness of 1 mm. Next, we reduced the thickness of the nickel-plated copper block. Instead of 7 mm, it is now only 5.5 mm thick. The water flow inside the cooler has also been optimized. All important components such as the voltage transformers and the memory are now significantly better and more effectively cooled by the water. All this ensures a significant increase in cooling performance.

New Design!

The Eisblock Aurora GPX cooler has been designed so that lighting is more important than the previous models. The addressable digital RGB LEDs are embedded directly into the cooling block and run along the entire cooling block. The effect is an illumination of the entire cooling block. No corner or edge remains unlit by the aRGB LEDs. The new design is more angular with all edges bevelled. This promotes better light diffusion in the water cooler due to the reflections on these bevels. In addition, they create various contours, which give the Aurora GPX Eisblock cooler its very own unique identity.

Copper or Aluminium?

Of course, Alphacool only uses copper for its water coolers. With the Aurora GPX Eisblock, the copper is nickel-plated. Compared to its predecessor models, Alphacool has improved the nickel plating even further, which has considerably increased the acid resistance. This means that the nickel should resist flaking.

Why does Alphacool rely on copper instead of aluminium? Simply, copper has almost twice the thermal conductivity of aluminium and is therefore clearly the better material for water cooling.

Is There Anything Else New?

The Eisblock Aurora GPX also relies on the new patented stop fittings, which sit flush with the surface of the terminal. The Alphacool logo now sits in the corner on the top and is also fully illuminated. On the front of the terminal you can see the corresponding names of the compatible graphic card types. Of course, these are also fully illuminated by the digital LEDs. IN and OUT are now marked by small triangles. They are easily recognizable and fit perfectly into the entire aesthetics of the graphic card water cooler.

The Alphacool Aurora GPX Acryl is a complete redevelopment of the previous Alphacool graphics card water coolers. No technical compromises were made, but the entire technical know-how flowed into the development and implementation.