

## Alphacool ES RTX 5080 Reference 1-Slot-Design with Backplate

Alphacool article number: 10261



### Quick Info

Alphacool expands its Enterprise series with the latest 1-slot water coolers for the current Nvidia GeForce RTX generation. These solutions are specifically designed for use in server enclosures and workstations, enabling efficient cooling even in densely packed systems.

- Optimized water flow through software and practical measurements
- Massive brass threads for secure fastening
- Superior chrome plating instead of nickel plating on the copper cooler
- Core design for maximum quality and feel

## Compatibility

- Inno3D Inno3D GeForce RTX™ 5080 iChill Frostbite (C50803-16D7X-1760FB)
- Inno3D Inno3D GeForce RTX™ 5080 iChill X3 (C50803-16D7X-176069H)
- Inno3D Inno3D GeForce RTX™ 5080 X3 (N50803-16D7-176068N)
- Inno3D Inno3D GeForce RTX™ 5080 X3 OC (N50803-16D7X-17603930)
- Inno3D Inno3D GeForce RTX™ 5080 X3 OC White (N50803-16D7X-17605211)

## Scope of delivery

1x ES RTX 5080 Reference 1-Slot-Design cooler	1x Thermal Grease
1x Backplate	1x Putty tool
1x 55x15x1mm Pad	1x PCIe Bracket
2x 26x15x1mm Pad	8x M2x8mm screws
1x 83x8x1mm Pad	4x Spacer 2mm
3x 15x8x1mm Pad	2x Spacer 1mm
1x 8x8x1mm Pad	

## Technical data cooler

Dimensions total (L x W x H)	186,50 x 95,75 x 21,19mm
Material cooler	chrome-plated copper
Material cooler top	Acrylic
Material terminal	Brass
Material Connection thread	Brass
Max working temperature	60°C
Pressure tested	0,8 bar
Threads	2 x G1/4"
Thickness cooler bottom	3,25mm
Thickness cooling fins	0,4mm
Distance cooling fins	0,4mm
Color	transparent

## Technical data backplate

Dimensions (L x W x H)	171,50 x 95,75 x 3mm
Thickness backplate without spacers	1mm
Material	Aluminium

## Download links

Product pictures	<a href="#">10261_Alphacool_ES RTX 5080 Reference_1-Slot-Design_with_Backplate_pics.zip</a>
------------------	---

## Packaging dimensions per unit

L x W x H	345 x 205 x 60 mm
Weight	1500 g

## Other data

Certificates	CE, FC, RoHS
EAN	4250197102612
Customs code	84195080900
Guarantee	3 years

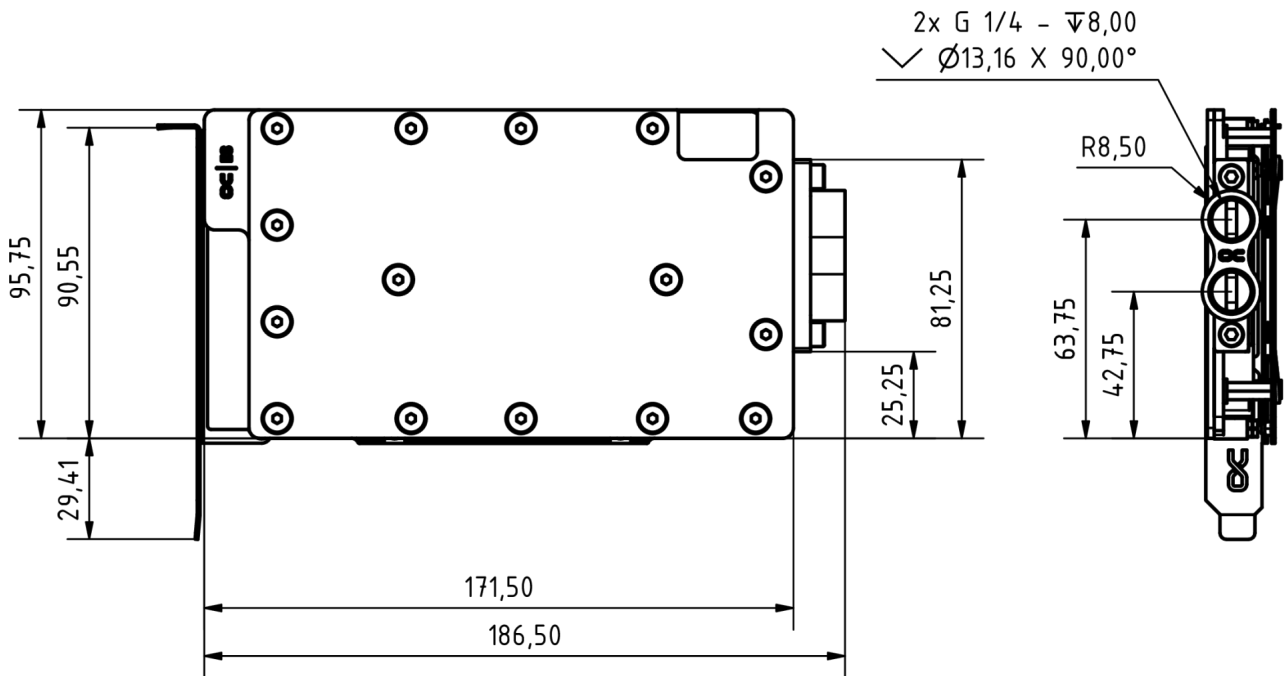
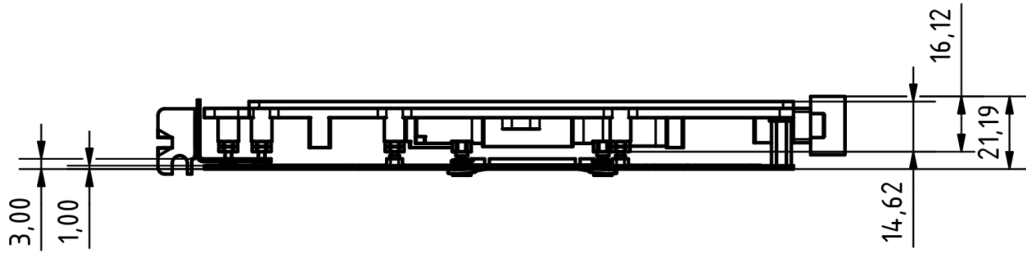
## Article text

Alphacool expands its Enterprise series with the latest 1-slot water coolers for the current Nvidia GeForce RTX generation. These solutions are specifically designed for use in server enclosures and workstations, enabling efficient cooling even in densely packed systems.

By employing a thin yet extremely robust carbon plate, these coolers have been designed as 1-slot units without compromising the integrity of the copper block. Paired with rear-placed brass connectors, multiple coolers can be easily stacked on top of each other or side by side within a server case. This thoughtful design saves space, simplifies tubing, and allows for seamless integration into the water circuit.

All water-bearing parts are made from high-quality copper, which offers nearly twice the thermal conductivity of aluminum. Additionally, the copper is chrome-plated rather than nickel-plated, providing extra protection for the cooler. Chrome plating is more resistant to acids, scratches, and other damage, effectively preventing the chipping of coatings.

The GPU water cooler has undergone a complete technical overhaul. To optimize cooling performance, the spacing between the cooler and the components on the PCB was redefined and tested. The water flow was simulated using state-of-the-art software and validated through practical trials. These extensive tests led to improvements in the cooler base and nozzle, ensuring the best possible cooling performance for the new Nvidia GeForce RTX generation.



General tolerance:  $\pm 0,25\text{mm}$   
 Thickness with graphics card (PCB)  
 Dimension in millimeter