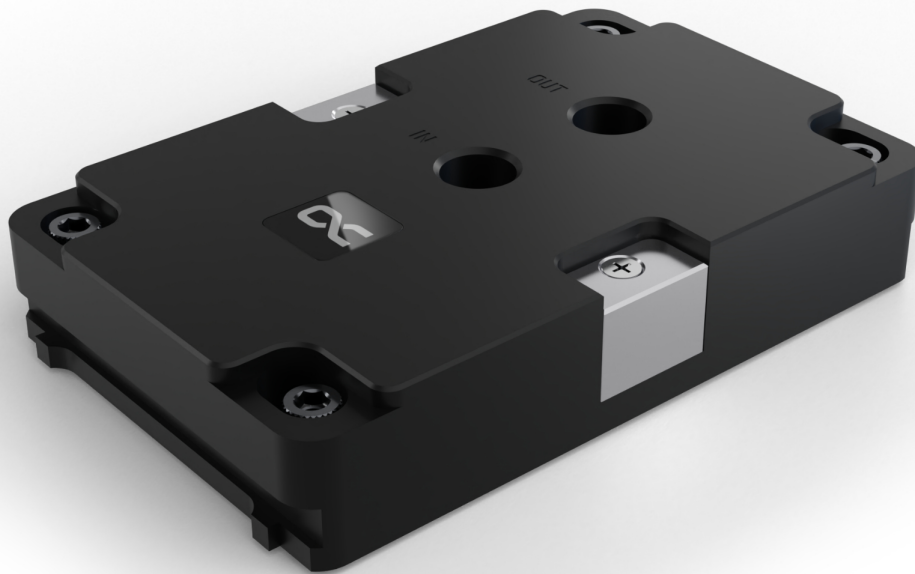


Alphacool ES Jet LGA 4677 / SP5 LGA 6096 2U

Alphacool article number: 10228



Quick Info

The Alphacool ES Jet CPU Cooler was specially developed for powerful processors on Intel's socket LGA 4677 in server and workstation systems. With the supplied bracket, the Alphacool ES Jet CPU cooler now also supports the SP5 socket from AMD. A new feature is that for the first time the water is distributed over the cooler base via four nozzles. With the help of this nozzle technology, all cores of the processor are optimally covered and thus cooled more effectively and with greater precision. Thanks to the change from one to four nozzles, the ES Jet CPU cooler is able to reliably dissipate waste heat of up to 800 watts.

- 4 Nozzle for optimized cooling
- nickel plated copper cooling block
- Organic water flow
- Ideal for server and workstations

Compatibility

AMD: SP5 (LGA 6096)

Intel: LGA 4677

Scope of delivery

1x ES Jet 2U CPU Cooler
1x Carrier
1x Subzero Thermal Grease
1x Putty tool
4x Nut

Technical data

Dimensions (L x W x H)	118,50 x 75,50 x 23,50 mm
Material cooler top	Acetal
Material cooler	nickel plated copper
Cooling capacity	up to 800W
Pressure tested	8 bar
Max working temperature	60 °C
Threads	2 x G1/4"
Fin thickness	0,4mm
Fin distance	0,4mm
Color	black

Download links

Manuals	10228_Alphacool_ES_Jet_LGA_4677_-_SP5_LGA_6096_2U_Manual(1).pdf 10228_Alphacool_ES_Jet_LGA_4677_-_SP5_LGA_6096_2U_Manual(2).pdf
Product pictures	10228_Alphacool_ES_Jet_LGA_4677_-_SP5_LGA_6096_2U_pics.zip

Packaging dimensions per unit

L x W x H	150 x 100 x 50 mm
Weight	500 g

Other data

Certificates	CE, FC, RoHS
EAN	4250197102285
Customs code	84195080900

Article text

The Alphacool ES Jet CPU Cooler was specially developed for powerful processors on Intel's socket LGA 4677 in server and workstation systems. With the supplied bracket, the Alphacool ES Jet CPU cooler now also supports the SP5 socket from AMD. A new feature is that for the first time the water is distributed over the cooler base via four nozzles. With the help of this nozzle technology, all cores of the processor are optimally covered and thus cooled more effectively and with greater precision. Thanks to the change from one to four nozzles, the ES Jet CPU cooler is able to reliably dissipate waste heat of up to 800 watts.

Performance-oriented!

The cooler base has been optimized specifically for the large processor cores. The four nozzles of the ES Jet are not milled, but naturally incorporated into the cooler. The organic water flow ensures a smooth water flow and thus increases the cooling performance. The entire cooler is made of nickel-plated copper. Copper has almost twice the thermal conductivity of aluminum and is therefore particularly suitable for server or workstation systems.

Optimized for space!

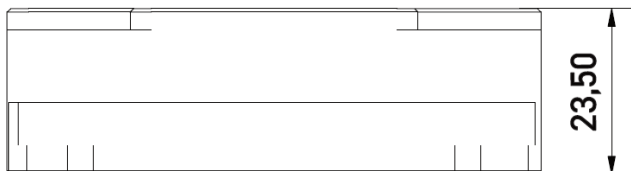
Despite the large cooler base and the four nozzles, the ES Jet is compact and flat. In order to mount the cooler in server racks without any issues, the connections are located on the top to save room.

Thermal paste

The included thermal paste is Alphacool's Subzero with a thermal conductivity of 16 W/mK. The electrically non-conductive Thermal Grease is particularly well suited for high contact pressures, but can still be processed perfectly due to the viscosity of 3,000,000 mPa. s.

Drawing

**Alphacool
ES Jet LGA 4677 2U**



G 1/4 - ∇ 8,00
 \surd \varnothing 13,16 X 90,00°

